

**6, , 10 kg, 1400 rpm**  
**WAU28540TC**



- WMZ20530GW
- WMZ20530SW
- WMZ20530WW
- WMZ2200 Floor securing component
- WMZ2381 Extension for cold water inlet /Aquastop

**AntiStain 4**

- AntiStain 4
- ActiveWater™ Plus
- AntiVibration™,,
- EcoSilence™ :
- VarioPerfect™' 65% 50% --

---

/: .....	
: .....	
: .....	
: .....	160.0 cm
: .....	848 mm
(H x W x D): .....	848 x 598 x 616 mm
: .....	
: .....	95.7 kg
: .....	70 l
: .....	Chrome, blackgray
: .....	chrome
: .....	47 dB(A) re 1 pW
: .....	500 W
: .....	5 A
: .....	110 V
: .....	60 Hz
: .....	
: .....	
: .....	110V
: .....	59.05 "
: .....	35.03 x 26.57 x 28.74
: .....	211.000
: .....	220.000
: .....	150.00 cm
: .....	150.00 cm
: .....	890 x 675 x 730 mm
: .....	100.0 kg
: .....	500 W
: .....	5 A
: .....	110 V
: .....	60 Hz
: .....	Aquasecure
: .....	1400 rpm
: .....	
: .....	
kg: .....	10.0 kg

---



**6, , 10 kg, 1400 rpm**  
**WAU28540TC**

**AntiStain 4**

---

-: 10 kg  
-: 400/600/800/1000/1400  
-

- , / , / , / , , , , / , , , 30

- , , , , , , ,  
- VarioPerfect™: ,

- , 125°  
- 24: 24  
- BLDC 10  
-

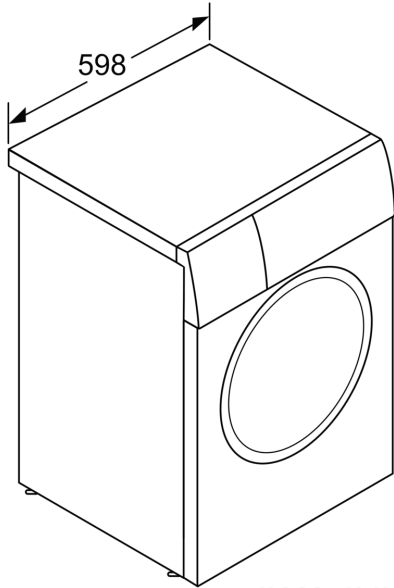
- ActiveWater™: ,  
-

- 3D AquaSpray: ,  
-:

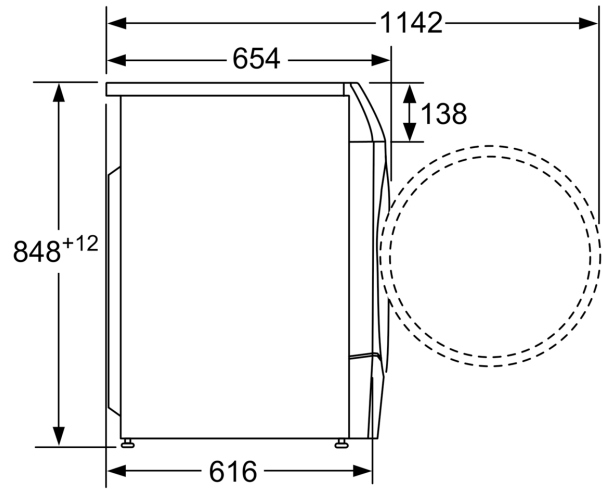
- Unbalanced Sensor : 15 ,  
-  
-

- (xx): 84.8 x 59.8 x 61.6 \*

6, , 10 kg, 1400 rpm  
WAU28540TC



measurements in mm



measurements in mm