

Series 6, , 8 kg, 1400 / WUU28460HK



WMZ20430 :
 WMZ2200 :
 WMZ2381 :
 WMZPW20W :

iSensoric 1 0 i - D o s

- **SpeedPerfect** : 68%
- **Vario Drum** :
- **ActiveWater Plus™** ,
- **DrumClean** :
- **AntiVibration Design**

/ :
 :
 / :
 :210.0 cm
 :845
 :845 x 598 x 599
 Wheels:No
 :69.5
 :63
 Door Frame: Silver-black grey
 :50 dB(A) re 1 pW
 :2300
 :10 A
 :220-240
 :50
 Energy Star Qualified:No
 Cord included:Yes
 :
 Length of supply hose (in):59.05 "
 Dimensions of the packed product: 34.66 x 25.70 x 27.23
 :153.000 lbs
 Gross weight:155.000 lbs
 Length of drain hose:150.00 cm
 Length of supply hose:150.00 cm
 (x x):880 x 653 x 691
 Gross weight:70.5
 :2300
 :10 A
 :220-240
 :50
 : Multiple water protection
 :1400 /
 :
 :Yes
 : LED-display, LED
 Maximum capacity in kg (EU 2017/1369):8.0
 Spin-drying efficiency class of eco 40-60 programme (EU 2017/1369): B
 Airborne acoustical noise emission class (EU 2017/1369):A



**Series 6, , 8 kg, 1400 /
WUU28460HK**

iSensoric 10 i - D o s

- WUU28460HK

- : 8
- : 1400 /
- antiVibration
- VarioDrum:
- L E D
- L E D 2 4

- : ,
- speedPerfect :

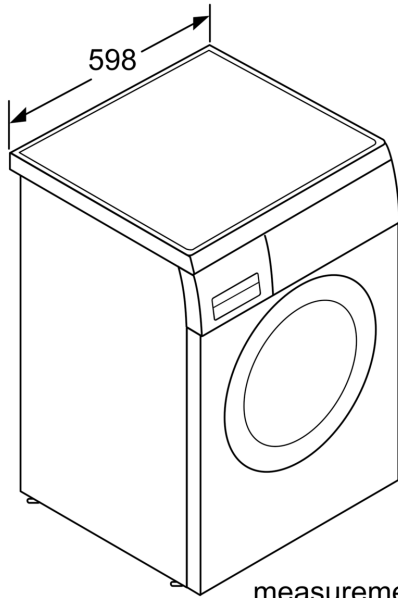
-
-
-
-
-
-
-
-

- 15' / 30' / , //

- (24)

- (XX) : 84.5 x 59.8 x 59.9 *
- , /

Series 6, , 8 kg, 1400 /
WUU28460HK



尺寸以毫米計

