

Series 8, , 9 kg, 1600 / WGA246UGHK



- AllergyPlus : 99.9%*
- 4D : , , ,
- Intensive Plus : 4 D 3 0
- 4 : , , , /
- EcoSilence Drive™

WMZ2200 :
WMZ2381 :

/ :
 :
 / :
 :210.0 cm
 : 848
 : 848x598x590
 Wheels:No
 : 82.4
 : 70
 Door Frame:Chrome, blackgray
 :48 dB(A) re 1pW ()
 : 2300
 : 10 A
 : 220-240
 : 50-60
 ENERGY STAR® certified:No
 Cord included:Yes
 :
 Length of supply hose (in):59.05 "
 Dimensions of the packed product: 34.44 x 25.19 x 26.57
 :182.000 lbs
 Gross weight: 183.000 lbs
 Length of drain hose: 150.00 cm
 Length of supply hose: 150.00 cm
 (x x):875 x 640 x 675
 Gross weight:83.2
 Power consumption standby/network: Please check the user manual for how to switch off the WiFi module.: 1.5
 : 2300
 : 10 A
 : 220-240
 : 50-60
 : Aquastop
 :1600 /
 :
 :Yes
 :LED-display
 Maximum capacity in kg (EU 2017/1369):9.0



Series 8, , 9 kg, 1600 / WGA246UGHK

- WGA246UGHK

- : 9

- : 1600 /

- 4D : , ,

- 6 ()

- antiVibration

- VarioDrum:

- L E D

- SpeedPerfect :

- ActiveWater Plus™ : ,

-

-

- AquaStop

-

-

- :

-

-

-

-

-

- , , , , , , / , , 15'/30' , , , , / ,

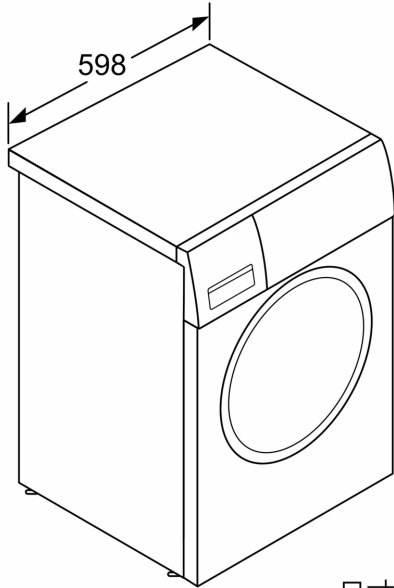
- , , , , , , , , (24),

- (XX) : 84.8 x 59.8 x 59.0 *

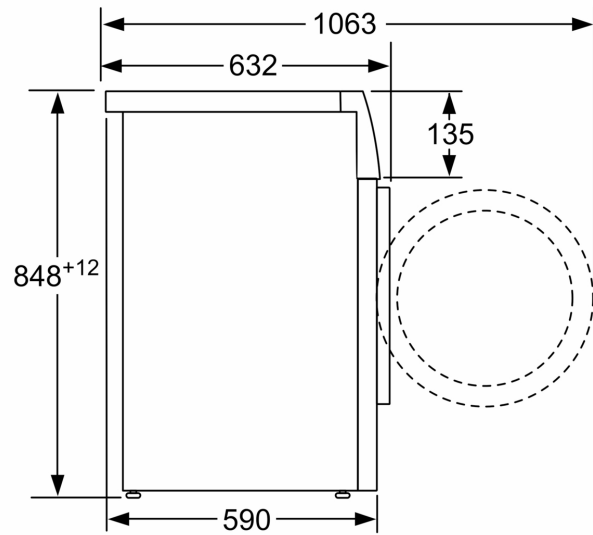
- : 59.0

- : 63.2

**Series 8, , 9 kg, 1600 /
WGA246UGHK**



尺寸單位為mm



measurements in mm