

**Series 6, , 45 cm
SPV6ZMX17E**


SGZ0BI02 :
 SGZ1010 :
 SGZ4CB00 :
 SMZ1051EU :
 SMZ5000 :
 SMZ5003 :
 SMZ5300 :

Zeolith®

- PerfectDry - Zeolith®
- Home Connect .
-
- Rackmatic 3 :
- EmotionLight :

Energy Efficiency Class (Regulation (EU) 2017/1369): C
Energy Consumption for 100 cycles Eco Programme (EU 2017/1369): 59
Maximum number of place settings (EU 2017/1369): 10
The water consumption of the eco programme in liters per cycle (EU 2017/1369): 8.9
Programme duration (EU 2017/1369): 3:15
Airborne acoustical noise emissions (EU 2017/1369): 42 dB(A) re 1pW ()
Airborne acoustical noise emission class (EU 2017/1369): B
: A
: 8.9
Total annual water consumption 220 days: 1958
/ : No
: 0
: 815
Adjustable feet:
() : 60
: 38.4
Gross weight: 40.2
: 2400
: 10 A
: 220-240
: 50; 60
: 175.0 cm
: () / ()
: 165 cm
: 205 cm
: Yes
Water protection system description: Triple water protection 24h
Child safety devices:
: Yes
Top basket type: Maximum flexibility with Vario Flex basket
: Rackmatic 3-stage
Bottom basket type: R4 45 cm
: Flex
: SGZ0BI02, SGZ1010, SGZ4CB00, SMZ1051EU, SMZ5000, SMZ5003, SMZ5300
: Vapor barrier plate
Number of place settings: 10
(x x): 815 x 448 x 550
(x x): 880 x 510 x 670

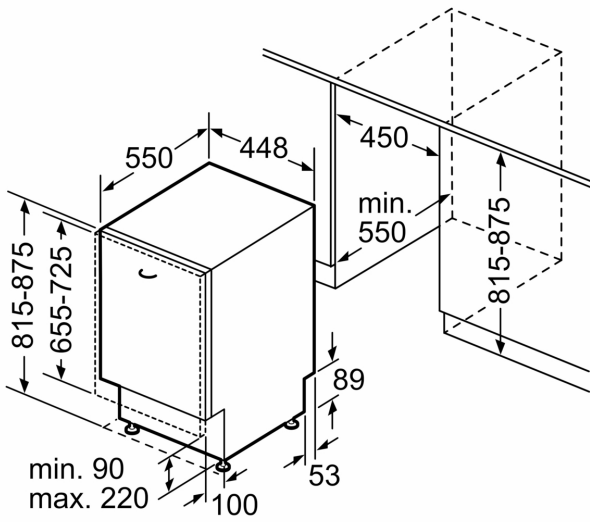


Series 6, , 45 cm
SPV6ZMX17E

Zeolith®

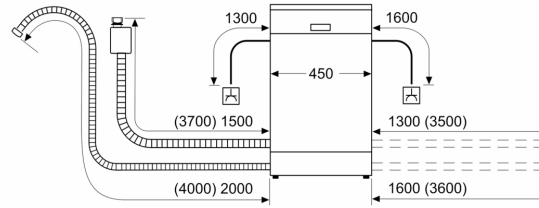
- :
- : 10 ()
- :
- 6 : 50°C, 45-65°C, 70°C, 60°C, 50°C, / °C
- 4 : Home Connect, , ,
-
- HygienePlus, (Home Connect)
- :
- Zeolith®
- Home Connect
-
-
- EcoSilence Drive
-
-
-
-
- :
-
- (3)
-
-
- 3
- 4
-
- TimeLight
-
-
- 1 - 24
- :
- (x x): 81.5 x 44.8 x 55
- R4 45cm
- /
-
- 1 x lever EU
-
- :
-
- :
- : 42
- vapor barrier plate
- :
- 1: (2010/30/EU)

Series 6, , 45 cm
SPV6ZMX17E



measurements in mm

尺寸以毫米計



插座
 () 包括延長套件的數值