

**Series 4, 45 cm**  
**SPV4XMX28E**



SGZ0BI02 :  
 SGZ1010 :  
 SGZ4CB00 :  
 SMZ1051EU :  
 SMZ5000 :  
 SMZ5003 :  
 SMZ5300 :

- **Rackmatic 3**
- **ActiveWater**
- **10**
- **IntensiveZone**

|  |   |
|--|---|
| Energy Efficiency Class (Regulation (EU) 2017/1369):                           | ..... F   |
| Energy Consumption for 100 cycles Eco Programme (EU 2017/1369):                | ..... 84  |
| Maximum number of place settings (EU 2017/1369):                               | ..... 10  |
| The water consumption of the eco programme in liters per cycle (EU 2017/1369): | ..... 9.5   |
| Programme duration (EU 2017/1369):   | ..... 3:40  |
| Airborne acoustical noise emissions (EU 2017/1369):                            | ..... 46 dB(A) re 1 pW  |
| Airborne acoustical noise emission class (EU 2017/1369):                       | ..... C   |
| :  | ..... A   |
| :  | ..... 9.5   |
| Total annual energy consumption 220 days:                                      | ..... 183   |
| Total annual water consumption 220 days:                                       | ..... 2090  |
| / :  | .....   |
| :  | ..... No  |
| :  | .....   |
| :  | ..... 0   |
| :  | ..... 815   |
| Adjustable feet:   | .....   |
| ( ) :  | ..... 60  |
| :  | .....   |
| :  | ..... 28.8  |
| Gross weight:  | ..... 30.6  |
| :  | ..... 2400  |
| :  | ..... 10 A  |
| :  | ..... 220-240   |
| :  | ..... 50; 60  |
| :  | ..... 175.0 cm  |
| :  | .....   |
| :  | ..... 165 cm  |
| :  | ..... 205 cm  |
| :  | ..... Yes   |
| Water protection system description:   | ..... Triple water protection 24h                                       |
| Child safety devices:  | .....   |
| :  | ..... Yes   |
| Top basket type:   | ..... R3  |
| :  | ..... Rackmatic 3-stage   |
| Bottom basket type:  | ..... R3  |
| :  | ..... varioDrawer   |
| :  | ..... SGZ0BI02, SGZ1010, SGZ4CB00, SMZ1051EU, SMZ5000, SMZ5003, SMZ5300 |
| 2 :  | ..... Vapor barrier plate   |
| Number of place settings:  | ..... 10  |
| ( x x ):   | ..... 815 x 448 x 550   |
| ( x x ):   | ..... 880 x 530 x 680   |

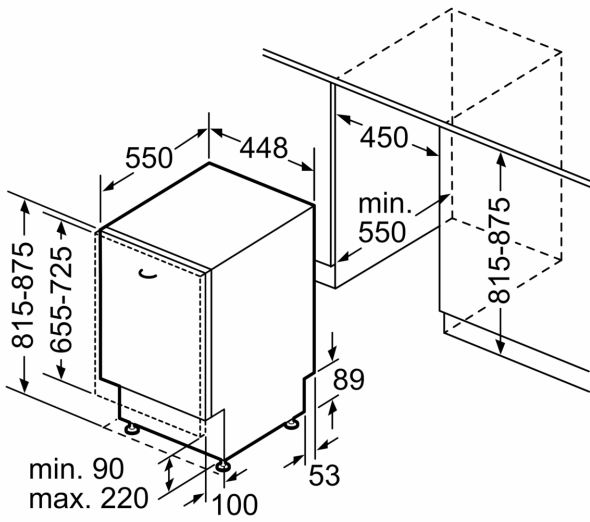


## Series 4, , 45 cm SPV4XMX28E

---

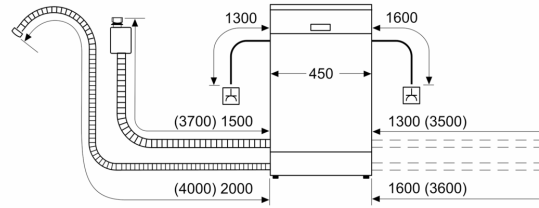
- :
- : 10 ( )
- : 46
- :
- 6 : 50°C, 45-65°C, 70°C, 1 65°C, 50°C, / °C
- /
- :
- 4 : Home Connect, , ,
- 
- :
- 
- 
- ( 3 )
- varioDrawer
- 
- :
- ( )
- 
- 
- :
- 1 - 24
- :
- 
- EcoSilence Drive
- 
- 
- :
- ( x x ): 81.5 x 44.8 x 55
- 1: (2010/30/EU)

**Series 4, , 45 cm**  
**SPV4XMX28E**



measurements in mm

尺寸以毫米計



⌘ 插座  
 ( ) 包括延長套件的數值