

**Series 4, , 60 cm
SMV50D10EU**


- SGZ0BI02 :
- SGZ1010 :
- SGZ8BI00 :
- SMZ1051EU :
- SMZ2014 :
- SMZ2056 :
- SMZ5000 :
- SMZ5002 :
- SMZ5003 :
- SMZ5300 :

- AquaStop: 100%
- ActiveWater :
- 1 0

Energy Efficiency Class (Regulation (EU) 2017/1369): F
 Energy Consumption for 100 cycles Eco Programme (EU 2017/1369):
 102
 Maximum number of place settings: 12
 The water consumption of the eco programme in liters per cycle: 11.7

Programme duration (EU 2017/1369): 3:30
 Airborne acoustical noise emissions (EU 2017/1369): .48 dB(A) re 1 pW
 Airborne acoustical noise emission class (EU 2017/1369): C
 : A
 : 11.7
 Total annual energy consumption 220 days: 224
 Total annual water consumption 220 days: 2574
 / :
 : No
 :
 : 0
 : 815
 Adjustable feet:
 () : 60
 :
 : 31.2
 Gross weight: 33.4
 : 2400
 : 10 A
 : 220-240
 : 50; 60
 : 175.0 cm
 :
 : 165 cm
 : 190 cm
 : Yes
 : Yes
 Water protection system description: Triple water protection 24h
 Child safety devices:
 : Yes
 Top basket type: low
 : Single
 Bottom basket type: low
 :
 : SGZ0BI02, SGZ1010, SGZ8BI00, SMZ1051EU, SMZ2014,
 SMZ2056, SMZ5000, SMZ5002, SMZ5003, SMZ5300
 2 : Vapor barrier plate
 Number of place settings: 12
 (x x): 815 x 598 x 550
 (x x): 860 x 660 x 670

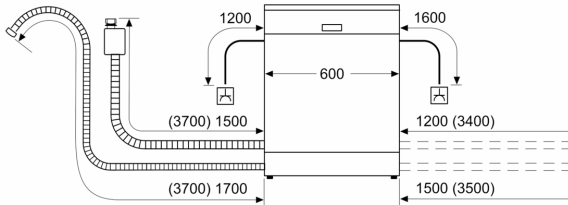


Series 4, , 60 cm SMV50D10EU

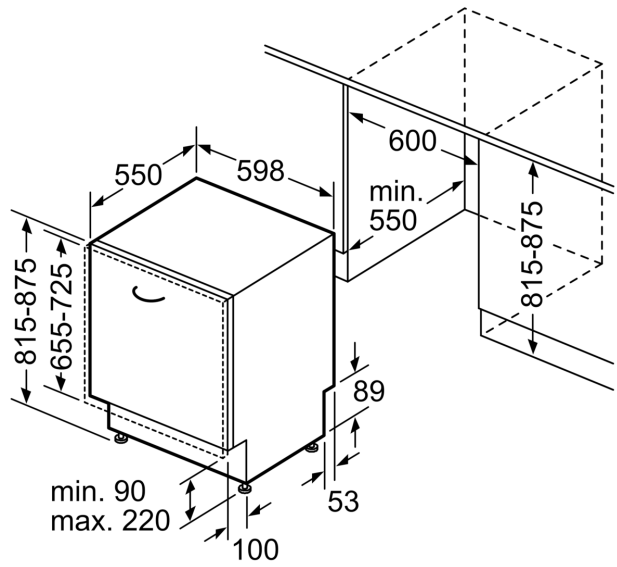
- :
 - :
 - 5 programmes:
 - 70,
 - 65,
 - 50,
 - 45,
 -
 - :
 - :
 -
 -
 - EcoSilence Drive
 - NA
 - /Polinox
 -
 - :
 - ,
 - 9
 -
 - LED
 - :
 - (x x): 81.5 x 59.8 x 55
 - vario
 - 2
 -
 - 2
 - :
 - (x x): 81.5 x 59.8 x 55
 -
 -
- 1: (2010/30/EU)

Series 4, , 60 cm
SMV50D10EU

尺寸以毫米計



六 插座
() 包括延長套件的數值



measurements in mm