

**Series 8, , 60 x 60 cm,
HBG634BW1**



HEZ327000 ; HEZ530000 ; HEZ531010 ; HEZ532010 ; HEZ617000
 ; HEZ625071 ; HEZ631070 ; HEZ632070 ; HEZ633001 ;
 HEZ633070 ; HEZ634000 ; HEZ635000 ; HEZ636000 ; HEZ638100
 ; HEZ638200 ; HEZ638300 ; HEZ660050 ; HEZ664000 ;
 HEZ915003 ; HEZG0AS00 :

:
Gross weight:37.1
/ :
Integrated Cleaning system:, Hydrolytic
(x x):585-595 x 560-568 x 550
:595 x 594 x 548
(x x):670 x 670 x 680
: Glass
:
: 34.7
Usable volume of cavity: 71
:4D, , , , , , , Pizza setting, low temperature
cooking, , , ,	
Number of interior lights: 1
:120.0 cm
Interior Lights - cavity 1: 1
:
Broil Element Wattages cavity 1:2800
Convection Element Wattages cavity 1:2200
(2010/30/EU):A+
: 0.87 kWh/cycle
: 0.69 kWh/cycle
Energy efficiency index (2010/30/EC):81.2 %
: 3600
: 16 A
: 220-240
: 60; 50
:
Alternative colors available: HBG634BB1, HBG634BS1
:
Required cutout/niche size for installation (in):x
Dimensions of the packed product: 26.37 x 26.37 x 26.77
:76.000 lbs
Gross weight: 82.000 lbs
: 120.0 cm
: 34.7



**Series 8, , 60 x 60 cm,
HBG634BW1**

:

/ :
- 13: 4D, , , , , , , , , , , ,
- : 71

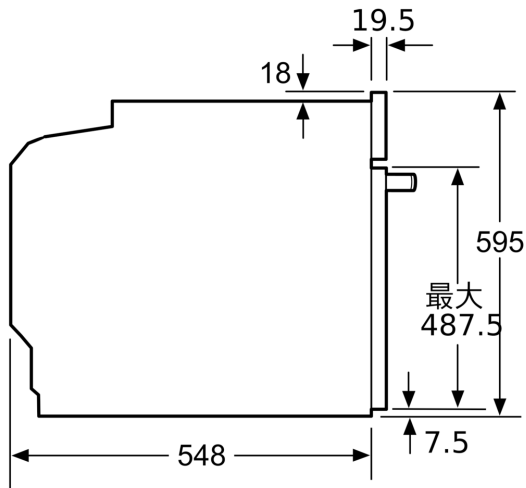
:
:
-ecoClean® Plus

:
- IC6_CBO_61
- : , ,
-
-
- ,
-

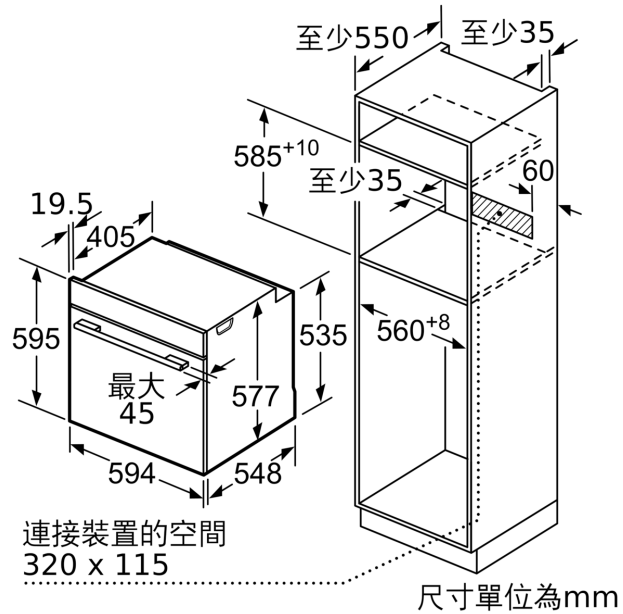
:
- 1 x M**0203, 1 x M**0176, 1 x M**0118

:
-
:
- 120
- : 3.6
- 595 x 594 x 548
- 595 x 594 x 548
-

**Series 8, , 60 x 60 cm,
HBG634BW1**



尺寸單位為mm



尺寸單位為mm

爐面底下若有安裝其他產品，則須遵照以下工作檯面厚度（視情況可能連同底部結構）。

爐面類型	工作檯面最小厚度	
	爐架型	平面型
爐頭可變電磁式烹調爐具	37 mm	38 mm
全平面式 爐頭可變電磁式烹調爐具	47 mm	48 mm
煤氣爐口	30 mm	38 mm
電磁式爐口	27 mm	30 mm

