

**Series 4, , 90 cm,
DFS097A51B**



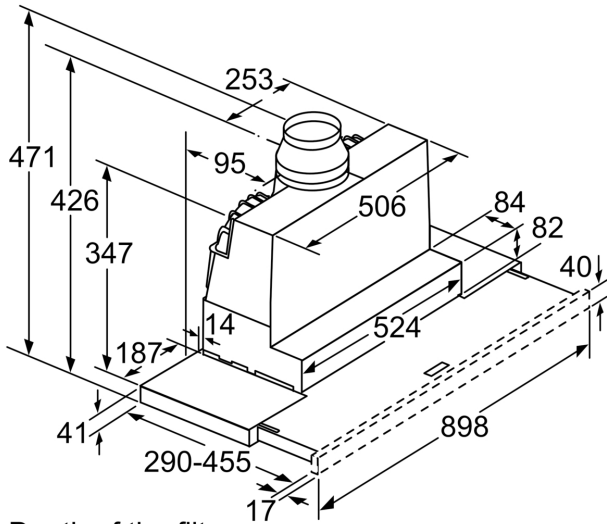
DWZ2IT114 :
DSZ4920 :
DSZ4961 :
DWZ2IT1B4 :

• **EcoSilence Drive:**

.....
: 175 cm
(x x): 385mm x 524.0mm x 290mm
: 12.4
: Electronic
Number of speed settings: 3-stages + intensive setting
- :397 /
Boost position output recirculating: 628 /
- :358 /
:729 /
Number of lights: 3
: 53 dB(A) re 1pW ()
: 120 / 150
:
Odour filter: No
:
:DWZ2IT114, DSZ4920, DSZ4961, DSZ4982, DSZ4986,
DWZ0IT0P0, DWZ1IT1D1, DWZ1IX1B6, DWZ1IX1C6, DWZ2IT1B4
Type of lamps used: LED
Total power of the lamps: 6
:
:
: 146
: 10 A
: 220-240
: 50; 60
:
:
:
:
Dimensions of the product, with chimney (if exists) (in):x x
Dimensions of the packed product: 15.74 x 37.00 x 19.29
:27.000 lbs
Gross weight: 34.000 lbs
:
No-return airflow flap: Yes
: 175 cm
Dimensions of the product, with chimney (if exists):400 x 900 x
290.0
(x x):400x940x490
: 12.4
Gross weight: 15.3

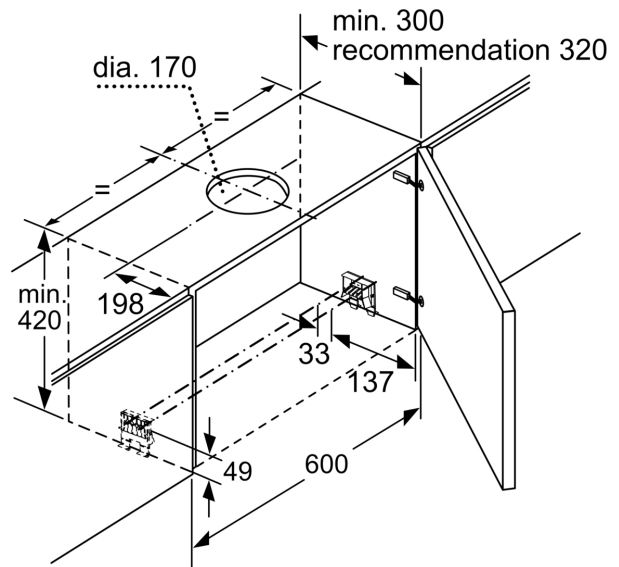


**Series 4, , 90 cm,
DFS097A51B**

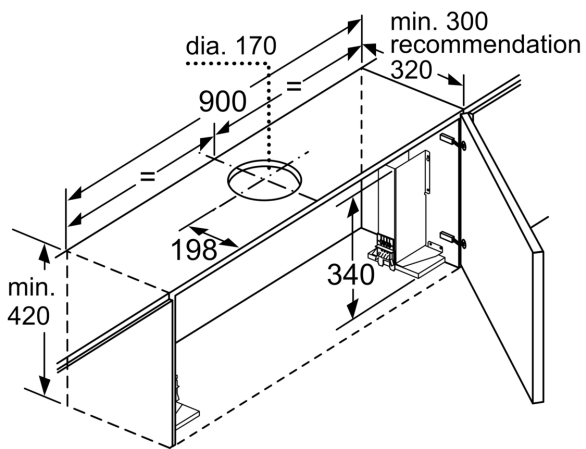


Depth of the filter
drawer can be adjusted
by up to 29 mm

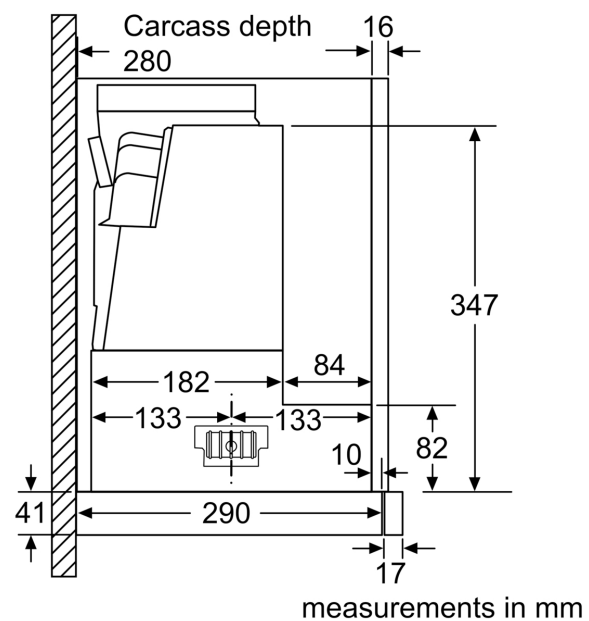
measurements in mm



measurements in mm



When installing the 90 cm telescopic hood in
a 90 cm wide wall-hanging cupboard,
a mounting kit is required. The two mounting
brackets are screwed onto the left and right of the
kitchen unit. Installation in accordance with template.
measurements in mm



measurements in mm

