

**Series 4, , 90 cm,
DFS097A51**



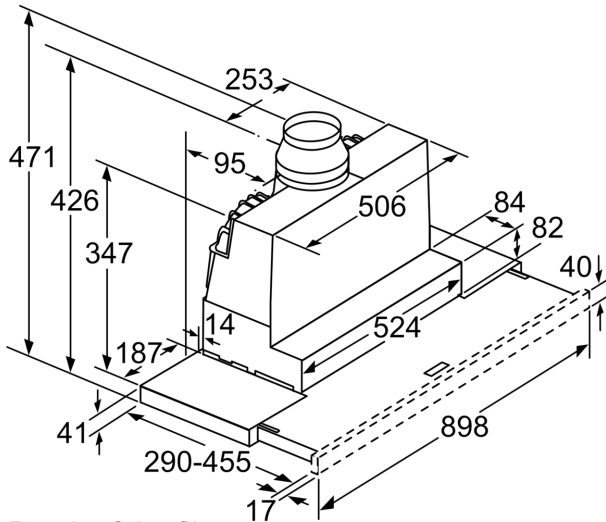
DSZ4920 :
DSZ4961 :
DWZ2IT1B4 :
DWZ2IT114 :

- **EcoSilence Drive,**
- **EcoSilence Drive:**

:
 : 175 cm
 (x x) : 385mm x 524.0mm x 290mm
 : 13.1
 : Electronic
 Number of speed settings: 3-stages + intensive setting
 - :397 /
 Boost position output recirculating: 628 /
 - :358 /
 :729 /
 Number of lights: 3
 : 53 dB(A) re 1pW ()
 : 120 / 150
 :
 Odour filter: No
 :
 :DSZ4920, DSZ4961, DSZ4982, DSZ4986, DWZ0IT0P0,
 DWZ1IT1D1, DWZ1IX1B6, DWZ1IX1C6, DWZ2IT1B4, DWZ2IT114
 Type of lamps used: LED
 Total power of the lamps: 6
 :
 :
 : 146
 : 10 A
 : 220-240
 : 50; 60
 :
 :
 :
 :
 Dimensions of the product, with chimney (if exists) (in):x x
 Dimensions of the packed product: 15.74 x 37.00 x 19.29
 :29.000 lbs
 Gross weight: 35.000 lbs
 :
 No-return airflow flap: Yes
 : 175 cm
 Dimensions of the product, with chimney (if exists):426 x 898.0 x
 290.0
 (x x) :400x940x490
 : 13.1
 Gross weight: 16.0

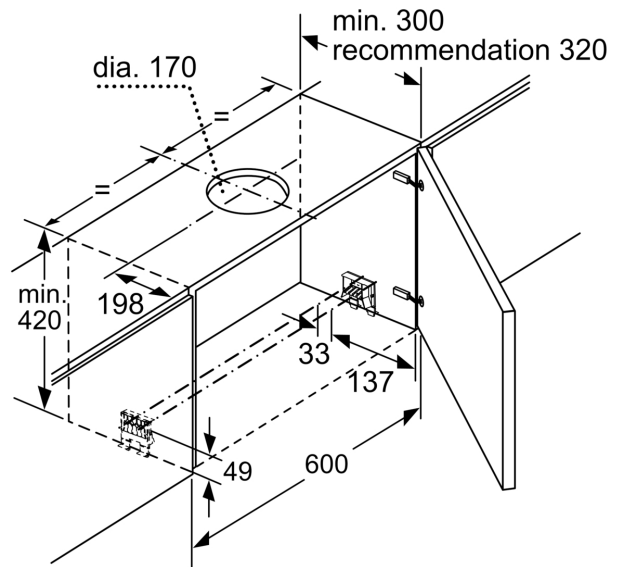


**Series 4, , 90 cm,
DFS097A51**

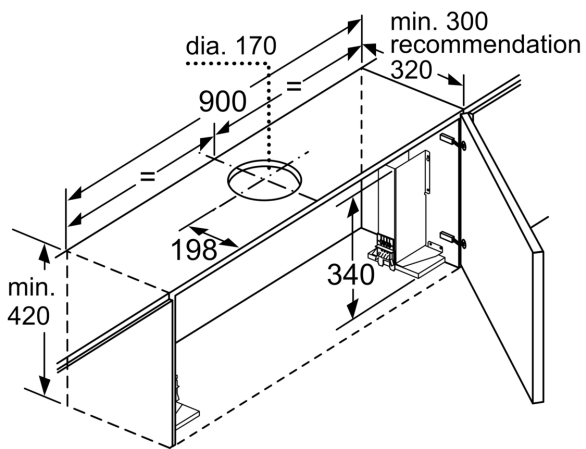


Depth of the filter drawer can be adjusted by up to 29 mm

measurements in mm

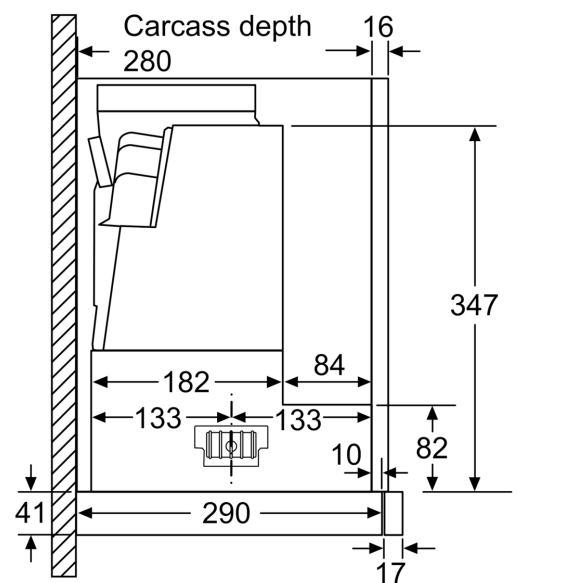


measurements in mm



When installing the 90 cm telescopic hood in a 90 cm wide wall-hanging cupboard, a mounting kit is required. The two mounting brackets are screwed onto the left and right of the kitchen unit. Installation in accordance with template.

measurements in mm



measurements in mm

