

6, , 9 kg, 1400
WGA244A0TH



WMZ2200 Floor securing component

- i-DOS:
- AntiStain Plus: 16
- :
- EcoSilence Drive™
- AllergyPlus:

Built-in / Free-standing:	
.....	
/ :	White
.....	160 .
:	848 mm
.....	848x598x588 mm
:	
.....	71.1 .
.....	65 l
.....	Silver-inox, black-grey
.....	55 dB(A) re 1pW
.....	2300 W
() :	10 A
.....	220-240 V
.....	50 Hz
.....	
.....	
.....	Thai plug
() :	59.05 "
.....	34.25 x 25.59 x 26.77
.....	157.000
.....	159.000
(x x) :	870x650x680 mm
.....	72.1 .
.....	2300 W
() :	10 A
.....	220-240 V
.....	50 Hz
.....	0.62 kWh
.....	44.0 l
.....	Multiple water protection
.....	1400
.....	
.....	
.....	
.....	9.0 .



6, , 9 kg, 1400 WGA244A0TH

- EcoSilence Drive™: Ferrite-BLDC Motor

engine power and consumption

- : 9 kg
- : B
- 1400 rpm
- 60 °C dB (A) re 1 pW: 55
- 60 °C dB (A) re 1 pW: 73

options

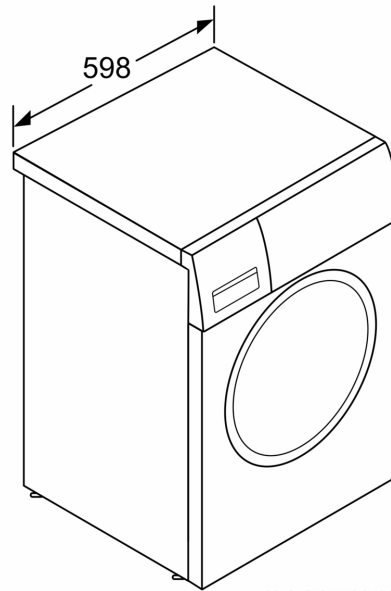
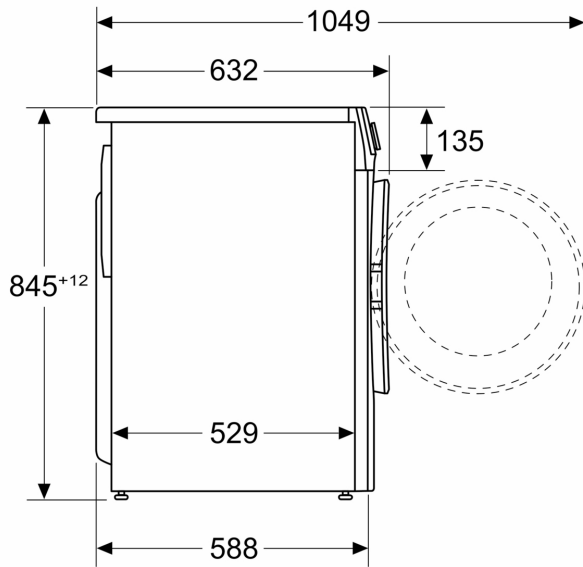
-

comfort and safety

- : Multiple Water Protection
-
- J
- S
-
- J
-
- J
-
- M
- (x x): 84.8 x 59.8 x 58.8 .
- 2

6, , 9 kg, 1400
WGA244A0TH

Measurements in mm



measurements in mm