

6, , 60 cm
SMV6ZCX16E



- PerfectDry:
- Extra Clean Zone:
- Time Light:

10

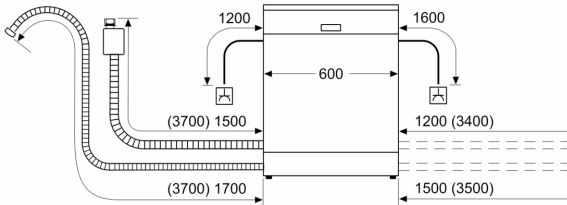
Energy Class:B
 Eco mode:65 kWh/100 cycles
 / :14
 :9.0 l
 :3:35 h
 :40 dB(A) re 1pW
 Airborne acoustical noise emission class:B
 :A
 :9.0 l
 220 :1980 l
 Built-in / Free-standing:
 :
 :
 worktop: 0 mm
 : 815 mm
 Adjustable feet: Yes - all from front
 : 60 mm
 :Both horizontal and vertical
 :45.3 .
 :47.5 .
 :2400 W
 () : 10 A
 : 220-240 V
 : 50; 60 Hz
 : 175 .
 : Gardy plug w/ earthing
 : 165 .
 : 190 .
 :
 : 24h
 :
 : High flexibility with Max Flex Pro basket
 : Rackmatic 3-stage
 :R3
 3: 3rd Rack 1.0
 : vapor barrier plate
 : 14
 (xx) :880x660x670 mm



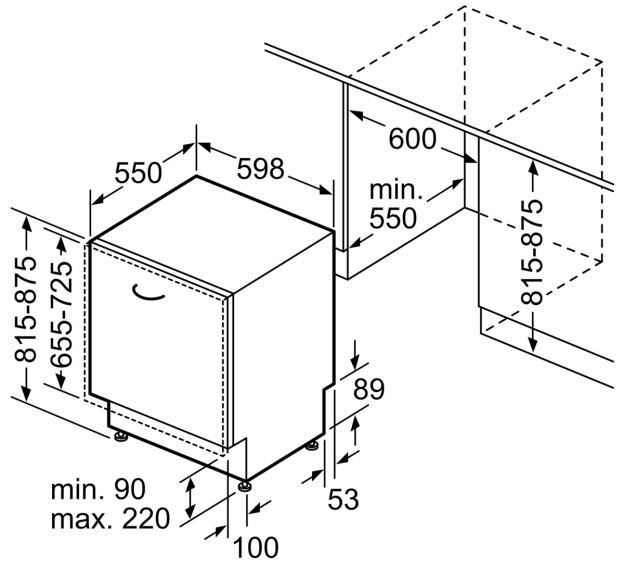
4 242005 420605

6, , 60 cm
SMV6ZCX16E

measurements in mm



⚡ socket
 () values with extension kit



measurements in mm