

**8, , 60 x 60 cm, Black
HBG6764B6B**



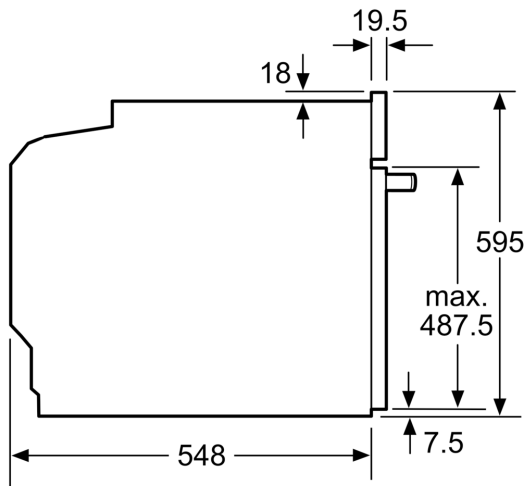
HEZ327000 ; HEZ530000 ; HEZ531010 ; HEZ532010 ; HEZ617000 ; HEZ625071 Grill tray, HEZ631070 ; HEZ632070 ; HEZ633001 Lid for professional pan, HEZ633070 Professional pan, HEZ634000 ; HEZ635000 ; HEZ636000 ; HEZ638270 2 level telescopic rails, full ext,pyro, HEZ638370 3 level telescopic rails, full ext,pyro, HEZ660050 ; HEZ664000 ; HEZ915003 ;

- PerfectBake:
- PerfectRoast:
- 4D Hotair:
- TFT: Home Connect

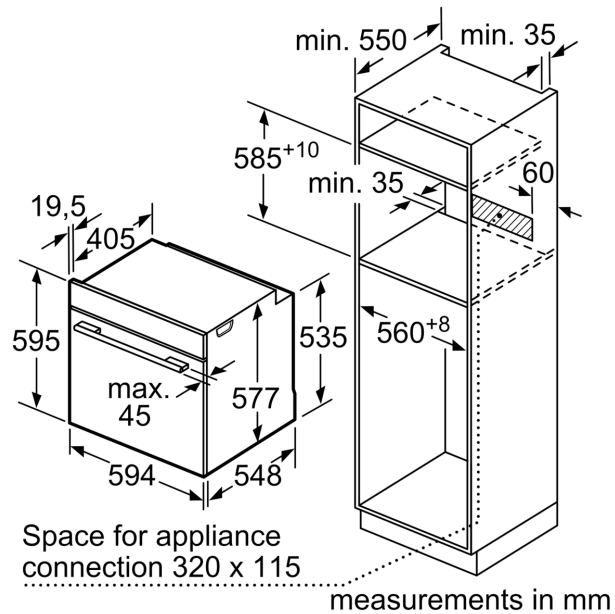
:	41.3 .
Built-in / Free-standing:	
:Pyrolytic+Hydrolytic	
:	(x x): 585-595 x 560-568 x 550 mm	
: 595 x 594 x 548 mm	
:	(x x): 670 x 670 x 680 mm	
: Glass	
: Glass	
: 38.9 .	
: 71 l	
: 4D hot air, Defrost, Full width grill, Hot Air-Eco, Half width grill, Conventional heat, Conventional heat ECO, Pizza setting, pre-heating,	
: 1	
: 120.0 .	
:	- 1: 1	
: 1	
:	1: 2800 W	
:	1: 2200 W	
: A+	
Energy consumption per cycle conventional (2010/30/EC):	0.87 kWh/cycle
Energy consumption per cycle forced air convection (2010/30/EC):	0.69 kWh/cycle
Energy efficiency index (2010/30/EC):	81.2 %
:	3600 W
():	16 A
:	220-240 V
:	50; 60 Hz
:	no plug
:	HBG6764S6B
:	
cutout / ():	x
:	26.37 x 26.37 x 26.77
:	86.000
:	91.000
:	120.0 .
:	38.9 .



8, , 60 x 60 cm, Black
HBG6764B6B



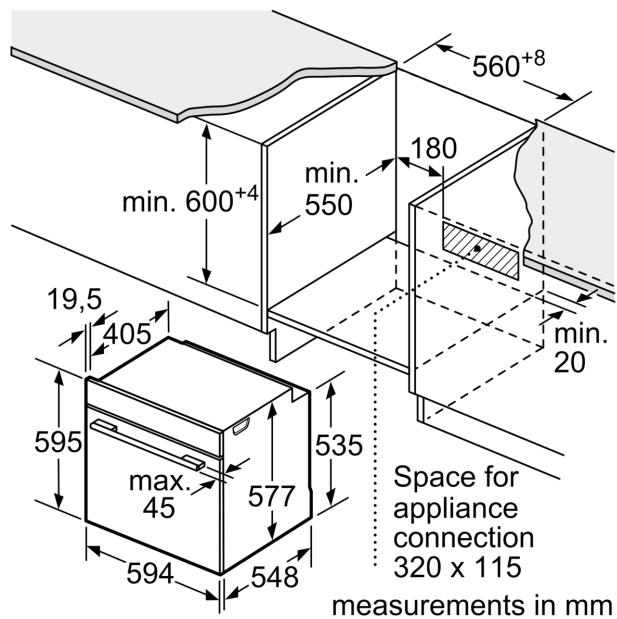
measurements in mm



measurements in mm

If the appliance will be installed underneath a hob, the following worktop thicknesses (including substructure if necessary) must be taken into account.

Hob type	min. worktop thickness	
	fitted	flush
Induction hob	37 mm	38 mm
Full surface Induction hob	47 mm	48 mm
Gas hob	30 mm	38 mm
Electric hob	27 mm	30 mm



measurements in mm