

**8, , 90 cm, Stainless steel**  
**DWB98PR50**



- DHZ1223 :
- DHZ1233 :
- DHZ5345 :
- DHZ5346 :
- DWZ0XX0J5 :
- DWZ1CX116 :
- DWZ2CB114 :
- DWZ2CX5C6 :
- DWZ2FX5D1 :
- DZZ0XX0P0 Active carbon filter
- DZZ1XX1B6 Active carbon filter
- DZZ2CB1B4 :

- PerfectAir:
  - Home Connect:
- 
- : ..... Wall-mounted
  - : ..... 130.0 .
  - Chimney: ..... 582-908/568-1018 mm
  - chimney: ..... 46 mm
  - : ..... 18.9 .
  - : ..... 3 + 2
  - : ..... 430 m<sup>3</sup>/h
  - boost : ..... 457 m<sup>3</sup>/h
  - : ..... 353 m<sup>3</sup>/h
  - boost : ..... 844 m<sup>3</sup>/h
  - : ..... 3
  - : ..... 55 dB(A) re 1pW
  - : ..... 150 / 120 mm
  - : ..... 3
  - : ..... 165 W
  - ( ) : ..... 10 A
  - : ..... 220-240 V
  - : ..... 60; 50 Hz
  - : ..... Gardy plug w/ earthing
  - : ..... Stainless steel
  - : ..... Gardy plug w/ earthing
  - ( ) ( ) : ..... x x
  - : ..... 23.03 x 25.59 x 38.18
  - : ..... 42.000
  - : ..... 56.000
  - : ..... chimney
  - No-return airflow flap: ..... 130.0 .
  - ( ) : ..... 614-1064 x 898.0 x 500.0 mm
  - ( x x ) : ..... 585 x 650 x 970 mm
  - : ..... 18.9 .
  - : ..... 25.4 .
  - : ..... 10



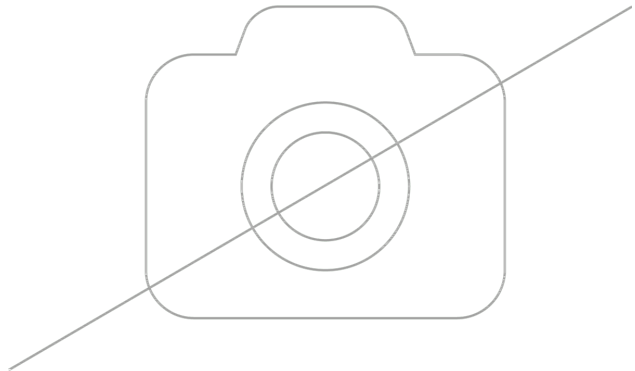
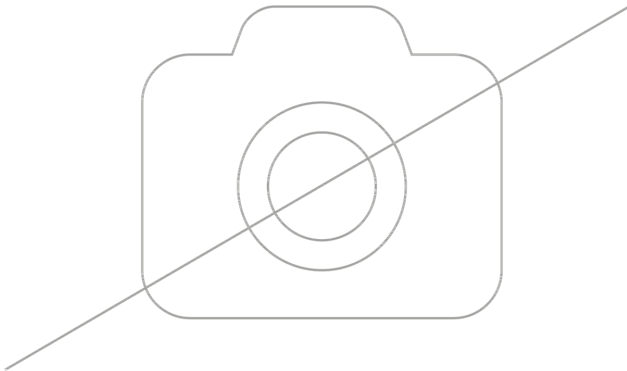


**8, , 90 cm, Stainless steel**  
**DWB98PR50**

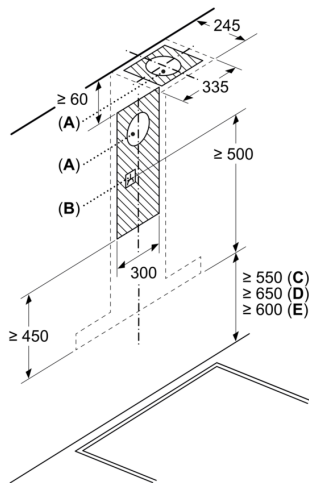
---

- Stainless steel
- AU
- wall
- Chimney hood wall fixing syst.
- 3 2
- 
- J
- Metal grease filter
- : 430 / , 844 /
- : J
- : 165 W

**8, , 90 cm, Stainless steel**  
**DWB98PR50**

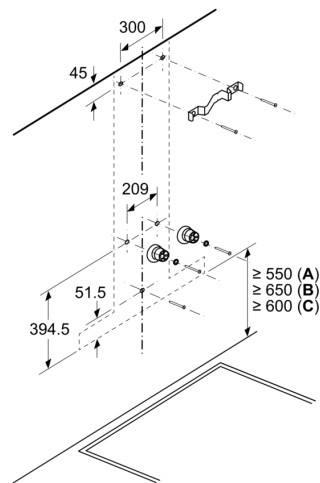


Measurements in mm



- A: Exhaust air outlet
- B: Socket
- C: Electric
- D: Gas - from upper edge of pan support
- E: Electric - for Australia and New Zealand

Measurements in mm



- A: Electric
- B: Gas - from upper edge of pan support
- C: Electric - for Australia and New Zealand