

4, , 90 cm, Stainless steel
DWB97FM50



• **TouchSelect:**

:	Stainless steel
:	Wall-mounted
:	130 .
Chimney:	583-912/583-1022 mm
chimney:	53 mm
:	13.8 .
:	
:	
boost	454 m ³ /h
:	499 m ³ /h
:	404 m ³ /h
boost	739 m ³ /h
:	2
:	65 dB(A) re 1pW
:	120 / 150 mm
:	
:	
:	LED
:	
:	255 W
() :	10 A
:	220-240 V
:	50; 60 Hz
:	Gardy plug w/ earthing
:	
:	Stainless steel
:	Gardy plug w/ earthing
() () :	x x
:	19.29 x 25.59 x 40.55
:	31.000
:	42.000
:	chimney
No-return airflow flap:	
:	130 .
(x x) :	490x650x1030 mm
:	13.8 .
:	19.1 .

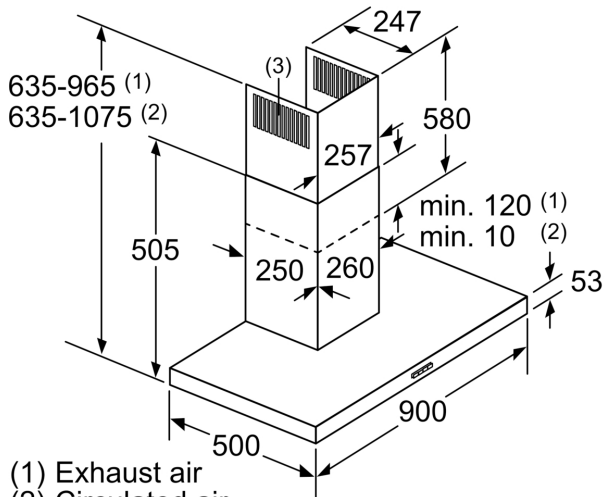




4, , 90 cm, Stainless steel
DWB97FM50

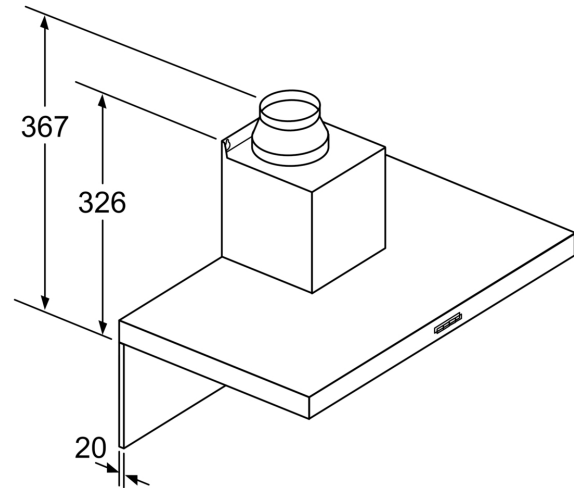
- Stainless steel
- 90 . Wall mounted chimney hood
- AU
- WA
- 3-stage + intensive
- Twin channel
- Metal grease filter
- : 453 / , 739 /
- : 255 W

**4, , 90 cm, Stainless steel
DWB97FM50**



- (1) Exhaust air
- (2) Circulated air
- (3) Air outlet – slots for exhaust air to be mounted facing down

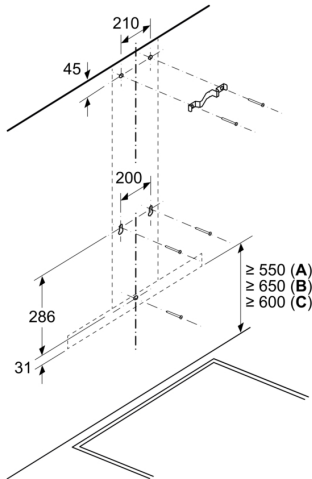
measurements in mm



If a back panel is used, the design of the appliance must be considered.

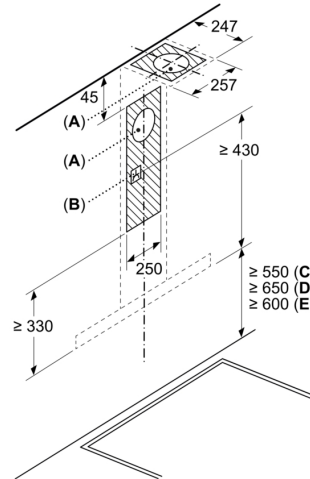
measurements in mm

Measurements in mm



- A: Electric
- B: Gas - from upper edge of pan support
- C: Electric - for Australia and New Zealand

Measurements in mm



- A: Exhaust air outlet
- B: Socket
- C: Electric
- D: Gas - from upper edge of pan support
- E: Electric - for Australia and New Zealand