

**Series 6, Condenser Tumble Dryer, 9 kg, Silver inox WTG8640SZA**



**B**



**The dryer with AllergyPlus program and ECARF quality seal: for soft laundry free of allergene.**

- **Auto Dry:** automatically dries to the exact degree of dryness you want.
- **Anti Vibration Design:** extremely stable and especially quiet thanks to special vibration protection.
- **Fast drying:** dries your laundry considerably faster than before.
- **Sensitive Drying System:** for gentle drying without wrinkles.
- **Allergy Plus:** specially developed for the needs of allergy sufferers and sensitive skin.

---

Built-in / Free-standing: .....	Free-standing
Removable top: .....	No
Door hinge: .....	Right
Length electrical supply cord: .....	145.0 cm
Dimensions: .....	842 x 598 x 613 mm
Net weight: .....	41.5 kg
EAN code: .....	4242005203536
Connection rating: .....	2800 W
Fuse protection: .....	13/10 A
Voltage: .....	220-240 V
Frequency: .....	50 Hz
Loading capacity: .....	9.0 kg
Energy efficiency class: .....	B
Energy consumption electric dryer, full load - NEW (2010/30/EC):	5.23 kWh
Standard cotton programme time at full load: .....	150 min
Energy consumption electric dryer, partial load - NEW (2010/30/EC):	2.77 kWh
Standard cotton programme time at partial load: .....	80 min
Weighted annual energy consumption, electric dryer - NEW (2010/30/EC): .....	616.0 kWh/annum
Weighted programme time: .....	110 min
Average condensation efficiency full load (%): .....	88 %
Average condensation efficiency partial load (%): .....	88 %
Weighted condensation efficiency (%): .....	88 %

---

WMZ20540G Platform with pull-out  
WTZ11330 Stacking kit



## **Series 6, Condenser Tumble Dryer, 9 kg, Silver inox WTG8640SZA**

### **The dryer with AllergyPlus program and ECARF quality seal: for soft laundry free of allergene.**

#### **Engine power/Consumption**

- Full load: 9 kg
- Dryer type: Condenser
- Energy efficiency class: B
- Energy consumption 616.0 kWh per year, based on 160 drying cycles of the standard cotton programme at full and partial load, and the consumption of the low-power modes. Actual energy consumption per cycle will depend on how the appliance is used
- Energy consumption of the standard cotton programme at full load 5.23 kWh and energy consumption of the standard cotton programme at half load 2.77 kWh
- Power consumption in off-mode 0.1 W and in left-on mode 0.75 W
- The programme Cotton cupboard dryused at full and partial load is the standard drying programme to which the information in the label and the fiche relates, this programme is suitable for drying normal wet cotton laundry and is the most efficient programme in terms of energy consumption for cotton.
- Weighted programme time of the standard cotton programme at full and partial load: 110 min.
- Programme time of the standard cotton programme at full load 150 min and programme time of the standard cotton programme at partial load 80 min.
- Condensation efficiency class B on a scale from G (least efficient) to A (most efficient).
- Average condensation efficiency of the standard cotton programme at full load 88 % and average condensation efficiency of the standard cotton programme at partial load 88 %.
- Weighted condensation efficiency for the standard cotton programme at full and partial load: 88 %.
- Noise level: 64 dB (A) re 1 pW

#### **Programmes**

- Special programmes: Woollens, Mixed Load, Time program warm, Time program cold, Sportswear, downs clothes, Super 40, Shirts 15

#### **Options**

- Anti crease cycle 120 min at the end of the programme
- Touch control buttons: Low Heat, Buzzer, Reduced Ironing, 24 h Ready in

#### **Comfort and Safety**

- Fully electronic control dial for sensor programmes and timed programmes
- soft dial
- Large LED-Display for remaining time and 24 h end time delay, programme status indication, special functions.
- Sensitive Drying System: Big Stainless steel drum with textile care structure, soft design paddles
- Protection filter for condensor
- AntiVibration
- Child Lock
- Buzzer to indicate the end of cycle
- Pull-Open latch
- Door hinge: right-hand
- Container for condensed water

#### **General Information**

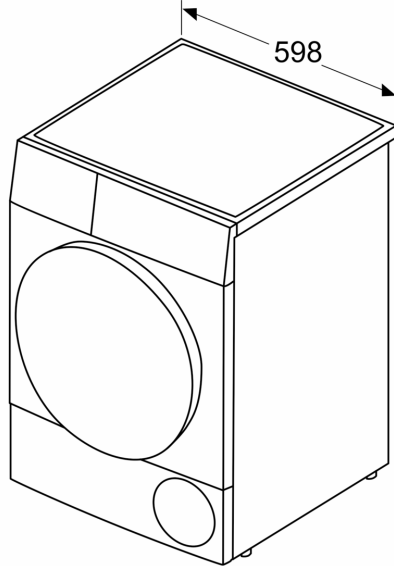
- Dimensions (H x W x D): 84.2 x 59.8 x 61.3 cm



- Slide-Under

**Series 6, Condenser Tumble Dryer, 9  
kg, Silver inox  
WTG8640SZA**

Measurements in mm



Measurements in mm

