

**Series 6, Frontloader Washing Machine, 9 kg, , Silver inox
WAT2848XZA**



The washing machine with EcoSilence Drive™: enjoy supremely quiet operation and excellent durability.

- **EcoSilence Drive™:** extremely energy-efficient and quiet in operation with an especially long life.
- **Allergy Plus:** developed for allergy sufferers and people with sensitive skin.
- **Vario Drum:** gently and efficiently wash with even water distribution and without creasing garments.
- **Active Water Plus:** For highly efficient use of water even with smaller loads thanks to automatic load detection.
- **Large LED display:** Easy operation and extra functions available.

Maximum capacity in kg (EU 2017/1369):	9.0 kg
Built-in / Free-standing:	Free-standing
Door hinge:	Left
Color / Material body:	Silver inox
Length electrical supply cord:	160.0 cm
Height of the appliance:	848 mm
Dimensions of the product:	848 x 598 x 590 mm
Wheels:	No
Net weight:	69.8 kg
Drum volume:	63 l
Connection rating:	2300 W
Fuse protection:	10 A
Voltage:	220-240 V
Frequency:	50 Hz



- WMZ2200 Floor securing component
 WMZ2381 Extension for cold water inlet /Aquastop
 WTZ11330 Stacking kit

Series 6, Frontloader Washing Machine, 9 kg, , Silver inox WAT2848XZA

The washing machine with EcoSilence Drive™: enjoy supremely quiet operation and excellent durability.

- EcoSilence Drive
- EcoSilence Drive A+++

Programmes

- Special programmes: Aqua Plus, Easy Care Dark, Drum clean, Shirts/Blouses, Sports Wear, quick wash/mixture, Spin / Drain, AllergyPlus / Hygiene, Super 15 min / Super 30 min, Duvet, wool, delicates/silk
- Touch control buttons

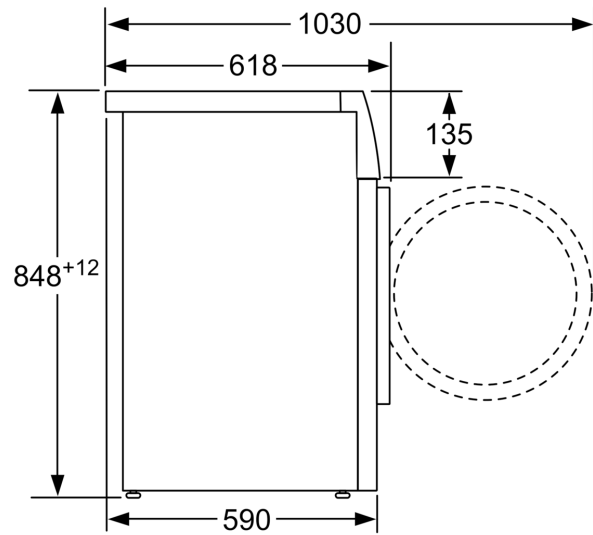
Comfort and Safety

- Drum volume: 63 l
- VarioDrum: gentle and efficient washing
- DrumClean programme
- 32 cm porthole, silver inox with 165° opening door
- BLDC
- AntiVibration
- Flow-through sensor
- ActiveWater: water management system
- Multiple water protection
- 3D AquaSpa wash system with cascade for faster water penetration
- Recommended Load
- Consumption Indication: Information about energy consumption
- Fully electronic control dial for wash programmes, temperature and special programmes
- Large LED-Display for programme status indication, temperature selection, max. spin speed, remaining time and 24 h end time delay, load recommendation and consumption indication
- Overdosage Indication
- Foam detection system
- Safeguard monitoring system adjusts load distribution
- Child Lock
- Buzzer to indicate the end of cycle
- Divider for Liquid Detergent

**Series 6, Frontloader Washing
Machine, 9 kg, , Silver inox
WAT2848XZA**



measurements in mm



measurements in mm