

## Serie | 6, Built-in Dishwasher, 60 cm SMV68MD02E



- **ExtraDry:** extra-thorough drying option for difficult-to-dry loads.
- **Glass 40°C:** protective program for gently cleaning and drying glasses.
- **VarioFlex-baskets and VarioDrawer:** enhanced re-adjusting options with more space on all levels.
- **AquaStop:** 100% lifetime warranty for water damages guaranteed.
- **Glass protection:** for gentle care of your glasses and delicate dishes.

### Technical data

Cleaning performance : A  
 Water consumption : 9.5 l  
 Total annual energy consumption 220 days : 205 kWh  
 Estimated annual consumption (220 standard cycles) water : 2090 l  
 Built-in / Free-standing : Built-in  
 Removable top : No  
 Door panel options : Not possible  
 Height of removable worktop : 0 mm  
 Height of the product : 815 mm  
 Adjustable feet : Yes - all from front  
 Maximum adjustability feet : 60 mm  
 Net weight : 42.2 kg  
 Gross weight : 44.5 kg  
 Connection Rating : 2400 W  
 Fuse protection : 10 A  
 Voltage : 220-240 V  
 Frequency : 50; 60 Hz  
 Length electrical supply cord : 175 cm  
 Plug type : GARDY plug w/ earthing  
 Length inlet hose : 165 cm  
 Length outlet hose : 190 cm  
 Hidden heating element : Yes  
 Water protection system description : Triple water protection 24h  
 Child safety devices : Yes  
 Water softener : Yes  
 Top basket type : mid  
 Adjustable upper basket : Rackmatic 3-stage  
 Bottom basket type : mid  
 3rd Rack : 3rd Rack 1.1  
 Optional accessories : SGZ1010, SGZ8BI00, SMZ1051EU, SMZ2014, SMZ2056, SMZ5003, SMZ5005, SMZ5035, SMZ5100, SMZ5300  
 Included accessories 2 : vapor barrier plate  
 Number of place settings : 14  
 Color / Material panel : Grey  
 Dimensions of the product (HxWxD) : 815 x 598 x 550 mm  
 Dimensions of the packed product (HxWxD) : 880 x 670 x 660 mm



## Serie | 6, Built-in Dishwasher, 60 cm SMV68MD02E

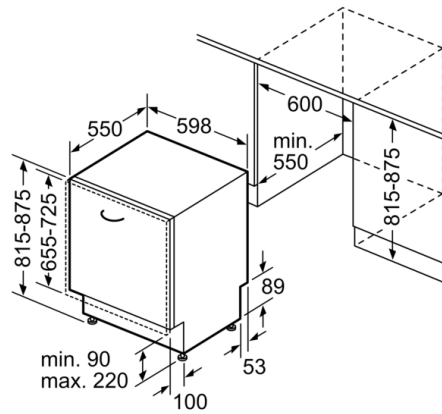
- Capacity: 14 place settings
- Energy Efficiency Class:A++
- Energy consumption in programme Eco50:266 kWhper year, based on 280 standard cleaning cycles.
- Power consumption off-mode / left-on mode:0.5 W/0.5 W
- Water consumption in programme Eco50:2660litres per year, based on 280 standard cleaning cycles.
- Water consumption in programmeEco50:9.5 litres
- Arated performance for washing andAfor drying
- The information relates to the programme Eco50. This programme is suitable to clean normally soiled tableware and is the most efficient programme in terms of combined energy and water consumption.
- Programme time in programmeEco50:195 minutes
- Duration of the left-on mode:0 min
- Noise level (silence programme):39 dB(A) re 1 pW
- Fully integrated
- Energy consumption when connected to hot water in programmeEco50:0.7 kWh
- 7-18 l
- 8programmes:Intensive70 °C,Auto45-65 °C,Eco50 °C,Silence50 °C,Glass40 °C,1h65 °C,Quick45 °C,Pre wash
- 4 special options:Intensive Zone,VarioSpeedPlus,HygienePlus,Extra Dry
- 4 special options:Intensive Zone,VarioSpeedPlus,HygienePlus,Extra Dry
- Machine Care
- 5 Temperatures
- ActiveWater hydraulic water system
- DosageAssist detergent dispenser
- BLDC
- Hydrosensor III,Load Sensor
- Auto 3-in-1 detergent detection for best rinsing and washing results
- Heat exchanger - Hygienic and efficient drying
- Drying Assistent
- Alternating spray arms
- Regenerative electronics
- Self-cleaning filter systemwith 3 piece corrugated filter
- Polinox drum
- Push button top controls
- Time remaining indicator (min)
- Acoustic end of cycle indicator
- Electronic time delay: 1-24 hours
- LED salt refill indicator
- LED rinse aid refill indicator
- Cutlery drawer 1.1
- 3 stage Rackmatic height-adjustable top basket
- 2 Foldable cup racks in bottom basket
- Aquastop anti flood device with guarantee
- Aquamix - Glass protection system
- Front-adjustable rear foot
- including Steam protection plate
- Dimensions of the product (HxWxD):81.5x59.8x55cm

**10-year guarantee: our convincing promise of quality against rusting of the inner tub.**

**Serie | 6, Built-in Dishwasher, 60 cm  
SMV68MD02E**



( ) Werte mit Verlängerungssatz



measurements in mm