

**Series 4, Induction Hob, 60 cm,  
Black,  
PUE611BB5B**



**The induction hob: cook fast, clean and safely while using very little energy.**

- **Touch Select:** selection of the desired cooking zone and easy setting of the desired power level.
- **Power Boost:** up to 35% faster heating compared to highest power level.
- **Quick Start:** start straight away and select the desired cooking level.
- **Restart:** restores hob settings in case of an unintentional hob switch-off.
- **Timer with switch-off function:** turns off the assigned cooking zone after the set time.

HEZ32WA00	Wireless food thermometer
HEZ390090	Wok Set consisting of 3 Items
HEZ9ES100	Espresso maker 4 cups
HEZ9FE280	Iron pan Ø 18 / 28 cm
HEZ9SE030	Set of 2 pots and 1 pan
HEZ9SE040	4 pieces Set
HEZ9SE060	6 pieces Set

Product name/family: ..... Cooking zone ceramic  
 Built-in / Free-standing: ..... Built-in  
 Energy input: ..... Electric  
 Total number of positions that can be used at the same time: ..... 4  
 Min. required niche size for installation (HxWxD): ..... 51 x 560-560 x 490-500 mm  
 Width of the appliance: ..... 592 mm  
 Dimensions: ..... 51x592x522 mm  
 Dimensions of the packed product (HxWxD): ..... 126 x 753 x 608 mm  
 Net weight: ..... 9.2 kg  
 Gross weight: ..... 11.4 kg  
 Residual heat indicator: ..... yes  
 Location of control panel: ..... Front  
 Basic surface material: ..... Ceramic  
 Color of surface: ..... Black  
 Length electrical supply cord: ..... 110.0 cm  
 EAN code: ..... 4242005285150  
 Voltage: ..... 220-240 V  
 Frequency: ..... 50; 60 Hz



## **Series 4, Induction Hob, 60 cm, Black, PUE611BB5B**

### **The induction hob: cook fast, clean and safely while using very little energy.**

---

- 60 cm: space for 4 pots or pans.

#### **Flexibility of cooking zones**

- Cooking zone front left: 180 mm, 1.8 KW (max. power 3.1 KW)
- Cooking zone rear left: 180 mm, 1.8 KW (max. power 3.1 KW)
- Cooking zone rear right: 145 mm, 1.4 KW (max power 2.2 KW)
- Cooking zone front right: 210 mm, 2.2 KW (max. power 3.7 KW)

#### **Comfort & Convenience**

- TouchControl +/- (EasyTouch): control the power with imprinted +/- touch buttons.
- Variable 17-stage power settings for each zone: precisely adapt the heat with 17 power levels (9 main levels and 8 intermediate levels).
- on device: switches off the cooking zone at the end of the time set (e.g. for boiled eggs).
- on device: an alarm sounds at the end of the time set (e.g. for pasta).

#### **Time saving & efficiency**

- Boost setting for all zones
- : boil water more quickly thanks to 50% more energy than at the highest standard level.
- yes: when switching on, the hob automatically selects the cooking zone with cookware (placed in off-mode).
- yes: in case of unintentional switch-off, restore all previous settings by switching on the hob again within 4 seconds.
- yes: quickly switch off a cooking zone with one longer touch.

#### **Design**

- Frameless design

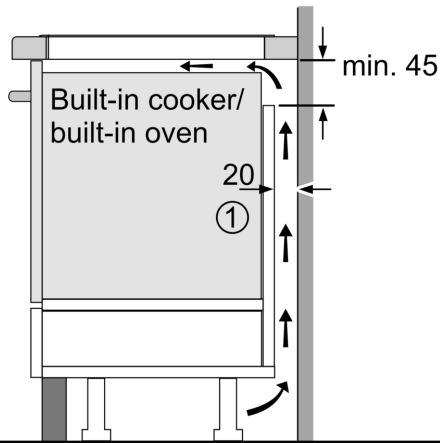
#### **Safety**

- 2 stage Hh residual heat indicator for each zone: indicates which cooking zones are still hot or warm.
- Safety lock: prevent unintended activation of the hob.
- Main on/off switch: switch off all cooking zones at the touch of a button.
- Automatic safety switch-off: for safety reasons, heating stops after a preset time without interaction (customizable).

#### **Installation**

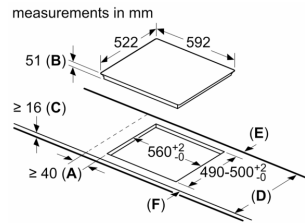
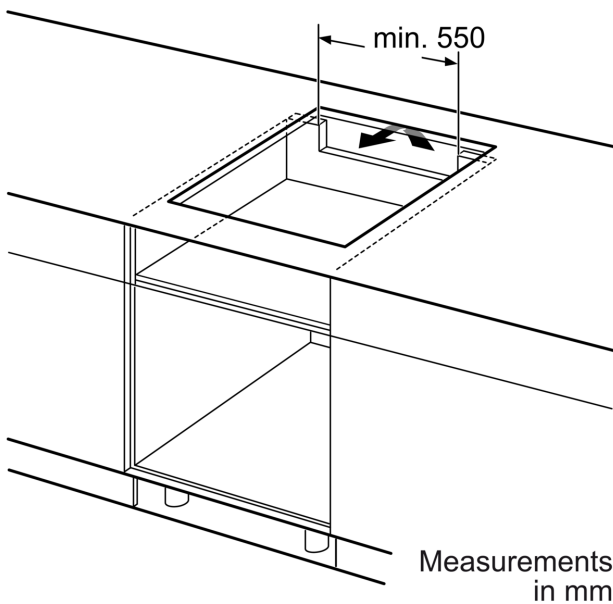
- Dimensions of the product (HxWxD mm): 51 x 592 x 522
- Required niche size for installation (HxWxD mm) : 51 x 560 x (490 - 500)
- Min. worktop thickness: 16 mm
- Connected load: 3700 W
- power management function: limit the maximum power if needed (depends on fuse protection of electric installation).
- Power cord 1.1 m Cable with plug: plug and play, no electrician required for installation.

**Series 4, Induction Hob, 60 cm,  
Black,  
PUE611BB5B**



①  
Ventilation gap must  
be present

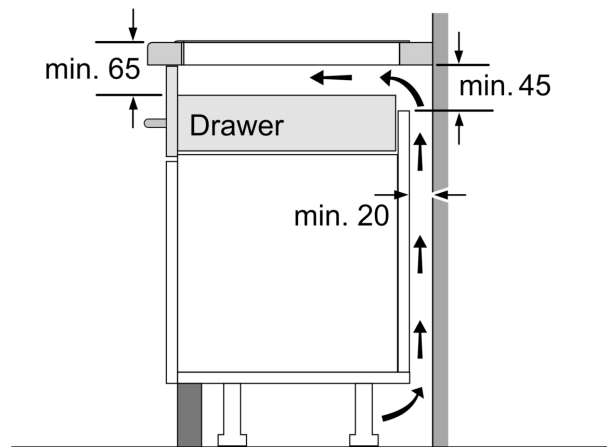
All measurements in mm



**A:** Minimum distance from the hob cut-out to the wall.  
**B:** Recessed depth  
**C:** The clearance between the surface of the worktop and the top of the front of the oven must be 30 mm. See space requirements for the oven.

The worktop into which the hob is installed must withstand loads of approx. 60 kg; suitable substructures must be used if required.

D	E	F
585-600	50	≥ 35
> 600	≥ 50	≥ 50



Measurements in mm