

**Series 8, Gas Hob, 90 cm, Ceramic,
Black
PRS9A6D70**



HEZ298105 Simmer plate
HEZ298114 Small pot support

**The ceramic glass gas hob with
FlameSelect: achieve perfect cooking
results thanks to nine precisely defined
power levels.**

- **FlameSelect:** for a precise adjustment of the flame in nine defined levels.
- **Dual wok burner:** dual flame system for very powerful cooking at up to 6 kW (depending on gas type).
- **Dual flame power burner with two heat options, quickly boil water or maintain a precise simmer.**
- **Dishwasher-proof pan supports:** for a convenient cleaning in the dishwasher.
- **Ceramics glass is much more slim and durable with better vertical conduction.**

Product name/family:gas hob w integrated controls
 Built-in / Free-standing: Built-in
 Energy input:Gas
 Total number of positions that can be used at the same time: 5
 Type of control setting devices: sword knobs
 Min. required niche size for installation (HxWxD):45 x 850-852 x 490-502 mm
 Width of the appliance:916 mm
 Dimensions:59 x 916 x 527 mm
 Dimensions of the packed product (HxWxD): ... 165 x 1116 x 659 mm
 Net weight:19.4 kg
 Gross weight: 21.8 kg
 Residual heat indicator:yes
 Location of control panel: Front
 Basic surface material:Ceramic
 Color of surface:Black, Alu, brushed
 Color of frame: Black
 Length electrical supply cord: 150.0 cm
 EAN code:4242002811147
 Gas connection rating: 13700 W
 Fuse protection:3 A
 Voltage: 220-240 V
 Frequency: 60; 50 Hz



**Series 8, Gas Hob, 90 cm, Ceramic,
Black
PRS9A6D70**

**The ceramic glass gas hob with
FlameSelect: achieve perfect cooking
results thanks to nine precisely defined
power levels.**

Design:

- Ceramic glass

Comfort and Safety:

- Step valve 9 steps
- Electronic power level display
- Sword Knobs
- Ignition via control knobs
- Cast iron pan supports

Power and size:

- 5 PC
- 1 Dual Wok burner
- 4gas+wok (left)
- Right rear: High speed burner 2.8 KW
- Left: Wok burner 6 KW
- Center rear: Economy burner 1.1 KW
- Center front: Standard burner 1.9 KW
- Right front: Standard burner 1.9 KW

Environment+safety:

- Flame failure safety device
- 1 stage
- Factory set for connection to mains gas

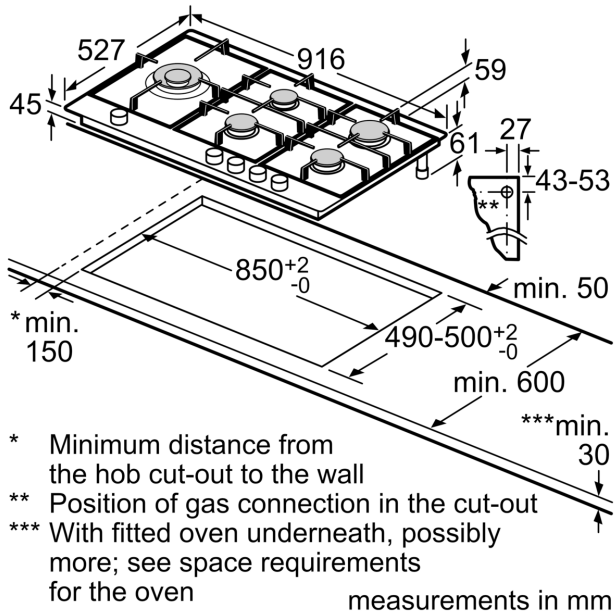
Measurements

- 150 cm

Accessories

- LPG jets included. Connection to 28-30/37 mbar bottled gas

**Series 8, Gas Hob, 90 cm, Ceramic,
Black
PRS9A6D70**



- * Minimum distance from the hob cut-out to the wall
- ** Position of gas connection in the cut-out
- *** With fitted oven underneath, possibly more; see space requirements for the oven