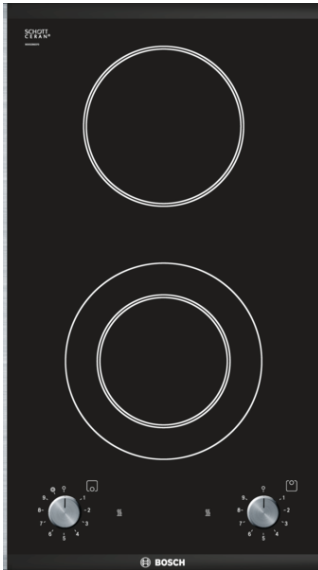


**Serie | 2, Electric Domino Hob, 30 cm
PKF375V14E**



Optional accessories

HEZ394301 : Connecting strip

**The radiant hob of the Domino programme:
makes cooking and cleaning especially
easy.**

- **30 cm width:** suitable for combining with other Domino and ComfortProfile hobs.

Technical data

| | |
|---|--------------------------------|
| Product name/family : | Vario/Domino cooking zone cera |
| Built-in / Free-standing : | CONSTR_TYPE.Built-in |
| Energy input : | Electric |
| Total number of positions that can be used at the same time : | 2 |
| Required niche size for installation (HxWxD) : | 48 x 270 x 490-500 |
| Width of the product (mm) : | 306 |
| Dimensions of the product (mm) : | 48 x 306 x 527 |
| Dimensions of the packed product (HxWxD) (mm) : | 115 x 375 x 575 |
| Net weight (kg) : | 3.993 |
| Gross weight (kg) : | 5.0 |
| Residual heat indicator : | Separate |
| Location of control panel : | Hob front |
| Basic surface material : | Ceramic |
| Color of surface : | Black, Stainless steel |
| Color of frame : | Stainless steel |
| Approval certificates : | CE, VDE |
| Length electrical supply cord (cm) : | 100 |
| Electrical connection rating (W) : | 3200 |
| Voltage (V) : | 220-240 |
| Frequency (Hz) : | 60; 50 |



4 242002 473215

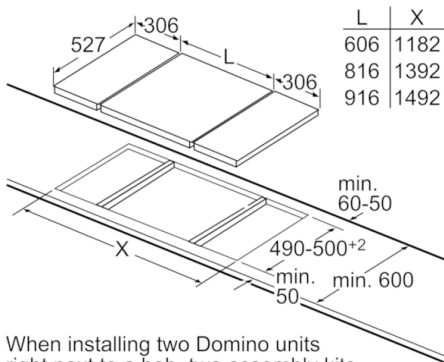


**Serie | 2, Electric Domino Hob, 30 cm
PKF375V14E**

**The radiant hob of the Domino programme:
makes cooking and cleaning especially easy.**

Comfort and Safety:

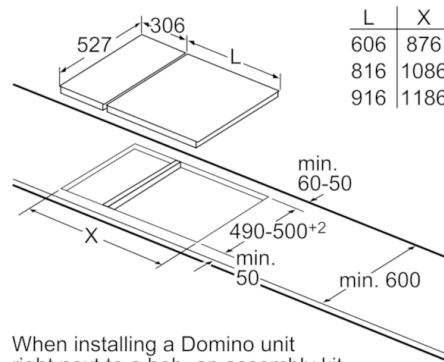
Serie | 2, Electric Domino Hob, 30 cm PKF375V14E



| L | X |
|-----|------|
| 606 | 1182 |
| 816 | 1392 |
| 916 | 1492 |

When installing two Domino units right next to a hob, two assembly kits (HEZ394301) are required.

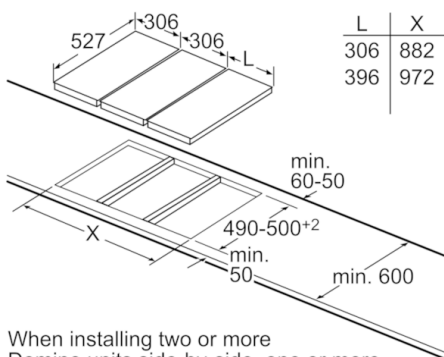
Measurements in mm



| L | X |
|-----|------|
| 606 | 876 |
| 816 | 1086 |
| 916 | 1186 |

When installing a Domino unit right next to a hob, an assembly kit (HEZ394301) is required.

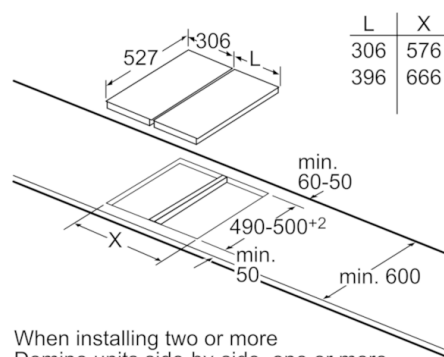
Measurements in mm



| L | X |
|-----|-----|
| 306 | 882 |
| 396 | 972 |

When installing two or more Domino units side-by-side, one or more assembly kits are required (2 units = 1 assembly kit, 3 units = 2 assembly kits, etc).

Measurements in mm

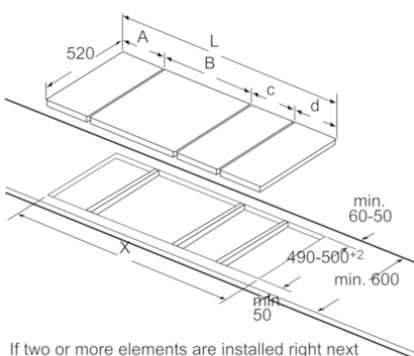


| L | X |
|-----|-----|
| 306 | 576 |
| 396 | 666 |

When installing two or more Domino units side-by-side, one or more assembly kits are required (2 units = 1 assembly kit, 3 units = 2 assembly kits, etc).

Measurements in mm

Picture for the table Domino combination possibilities with corresponding devices and cutout dimensions



If two or more elements are installed right next to one another, one or several installation kits are required (2 elements 1 installation kit, 3 elements 2 installation kits, etc.).

Cutout dimension (X) depending on the combination see table:

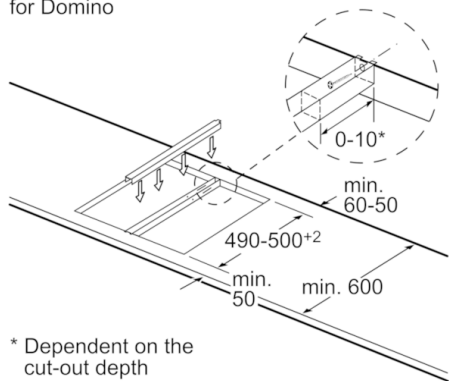
measurements in mm
Domino combination options with corresponding appliance and cut-out dimensions

Width category:
Appliance width:

| | A | B | C | D | L | X |
|-------------------|-----|-----|-----|-----|------|------|
| 2x30 | 306 | 306 | - | - | 612 | 576 |
| 1x30, 1x40 | 306 | 396 | - | - | 702 | 666 |
| 1x30, 1x60 | 306 | 606 | - | - | 912 | 876 |
| 1x30, 1x70* | 306 | 710 | - | - | 1016 | 980 |
| 1x30, 1x80 | 306 | 816 | - | - | 1122 | 1086 |
| 1x30, 1x90 | 306 | 916 | - | - | 1222 | 1186 |
| 2x40 | 396 | 396 | - | - | 792 | 756 |
| 1x40, 1x60 | 396 | 606 | - | - | 1002 | 966 |
| 1x40, 1x70* | 396 | 710 | - | - | 1106 | 1070 |
| 1x40, 1x80 | 396 | 816 | - | - | 1212 | 1176 |
| 1x40, 1x90 | 396 | 916 | - | - | 1312 | 1276 |
| 3x30 | 306 | 306 | 306 | - | 918 | 882 |
| 2x30, 1x40 | 306 | 306 | 396 | - | 1008 | 972 |
| 2x30, 1x60 | 306 | 306 | 606 | - | 1218 | 1182 |
| 2x30, 1x70* | 306 | 306 | 710 | - | 1322 | 1286 |
| 2x30, 1x80 | 306 | 306 | 816 | - | 1428 | 1392 |
| 2x30, 1x90 | 306 | 306 | 916 | - | 1528 | 1492 |
| 1x30, 2x40 | 306 | 396 | 396 | - | 1098 | 1062 |
| 1x30, 1x40, 1x60 | 306 | 396 | 606 | - | 1308 | 1272 |
| 1x30, 1x40, 1x70* | 306 | 396 | 710 | - | 1412 | 1376 |
| 1x30, 1x40, 1x80 | 306 | 396 | 816 | - | 1518 | 1482 |
| 1x30, 1x40, 1x90 | 306 | 396 | 916 | - | 1618 | 1582 |
| 2x40, 1x60 | 396 | 396 | 606 | - | 1398 | 1362 |
| 4x30 | 306 | 306 | 306 | 306 | 1224 | 1188 |
| 3x30, 1x40 | 306 | 306 | 306 | 396 | 1314 | 1278 |
| 1x30, 1x75 | 306 | 750 | - | - | 1056 | 1020 |

Serie | 2, Electric Domino Hob, 30 cm PKF375V14E

Assembly kit (HEZ394301)
for Domino



* Dependent on the
cut-out depth

Measurements in mm