

**Serie | 2, Electric Hob, 60 cm,  
Stainless steel  
PEE689CA1**




**The 60cm hob: offers you four sturdy and powerful cast-iron cooking plates.**

- **Surface mounted knobs:** for easy setting of preferred cooking level.

**Technical data**

Product name/family :	Cooking zone sealed hotplates
Construction type :	Built-in
Energy input :	Electric
Total number of positions that can be used at the same time :	4
Type of control setting devices :	Sword knobs
Required niche size for installation (HxWxD) :	45 x 560-560 x 490-490
Width of the appliance :	580
Dimensions :	45 x 580 x 510
Dimensions of the packed product (HxWxD) (mm) :	112 x 655 x 578
Net weight (kg) :	9.937
Gross weight (kg) :	10.6
Residual heat indicator :	without
Location of control panel :	right
Basic surface material :	Stainless steel
Color of surface :	Stainless steel
Approval certificates :	AENOR, CE
Length electrical supply cord (cm) :	100
Sealed Burners :	No
Power of heating element (kW) :	2
Power of 3rd heating element (kW) :	1.5
Power of 5th heating element (kW) :	2
Connection Rating (W) :	7000
Current (A) :	25
Voltage (V) :	230
Frequency (Hz) :	50
Main colour of product :	Stainless steel
Energy input :	Electric
Approval certificates :	AENOR, CE
Plug type :	no plug
Appliance Dimensions (h x w x d) (in) :	+ x x
Dimensions of the packed product (in) :	4.40 x 22.75 x 25.78
Net weight (lbs) :	22.000
Gross weight (lbs) :	23.000
Total number of positions that can be used at the same time :	4
Length electrical supply cord (cm) :	100
Required niche size for installation (HxWxD) :	45 x 560-560 x 490-490
Dimensions :	45 x 580 x 510
Dimensions of the packed product (HxWxD) (mm) :	112 x 655 x 578
Net weight (kg) :	9.937
Gross weight (kg) :	10.6





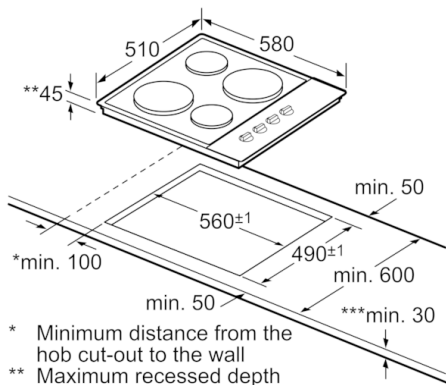
**Serie | 2, Electric Hob, 60 cm, Stainless steel  
PEE689CA1**

**The 60cm hob: offers you four sturdy and  
powerful cast-iron cooking plates.**

---

- Chrome nickel steel
- Surface-mounted controls
- 4 infinitely variable high-speed cooking zones
- Power on indicator light

## Serie | 2, Electric Hob, 60 cm, Stainless steel PEE689CA1



- \* Minimum distance from the hob cut-out to the wall
- \*\* Maximum recessed depth
- \*\*\* With fitted oven underneath, possibly more; see space requirements for the oven measurements in mm