

Serie | 2, Gas range cooker HSG734357Z



Included accessories

1 x enamel baking tray, 1 x rotary spit, 1 x nozzle set for natural gas, 1 x cross support for espresso, 1 x grid, 1 x WOK attachment ring

The gas Range Cooker with gas hob: enjoy the benefits of gas when cooking and baking.

- Full Safety automatically cuts off the supply of gas to your burner and oven at the same time, if the flame is extinguished for any reason.
- Full Glass Door supports quick and easy cleaning by removable inner glass of the door.
- Closed Door Grilling retains heat and odors within the cooker and reduces your cooking time.
- Cast Iron Pan Support provides extra support for your heavier pots and pans.
- **The stainless-steel gas cooktop:** its high quality and premium design lets you enjoy cooking longer.

Technical data

Built-in / Free-standing : Free-standing

Dimensions : 846-880 x 898 x 600 mm

Length electrical supply cord : 190 cm

Net weight : 67.5 kg

Gross weight : 77.6 kg

Cooking method : Gas bottom heating, Gas grill/broiler, rotisserie

Integrated Cleaning system : No

Included accessories : 1 x enamel baking tray, 1 x rotary spit, 1 x nozzle set for natural gas, 1 x cross support for espresso, 1 x grid, 1 x WOK attachment ring

Broil Element Wattages cavity 1 : 3500 W

Connection Rating : 100 W

Fuse protection : 16 A

Voltage : 220-240 V

Frequency : 60; 50 Hz

Plug type : no plug

Energy input : Gas

Gas type : Liquidgas G30,31 28-30/37 mbar

Appliance Dimensions (h x w x d) (in) : x x

Gross weight : 171.000 lbs

Length electrical supply cord : 190 cm

Dimensions : 846-880 x 898 x 600 mm

Dimensions of the packed product (HxWxD) : 860 x 670 x 960 mm

mm

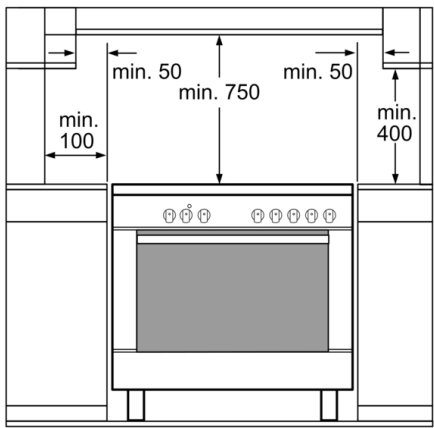


Serie | 2, Gas range cooker HSG734357Z

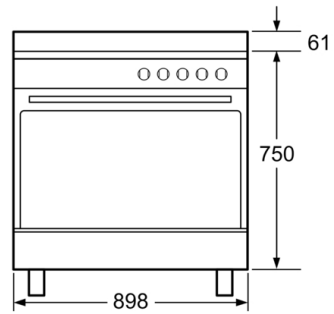
The gas Range Cooker with gas hob: enjoy the benefits of gas when cooking and baking.

- GAS HOB
- 1 rapid, 2 standard, 1 economy, 1 wok burner
- Front left: High-speed burner 2.9 KW
- Rear left: Standard burner 1.75 KW
- Center: Wok burner 4 KW
- Rear right: Standard burner 1.75 KW
- Front right: Economy burner 1 KW
- Ignition via control knobs
- Flame failure safety device
- Cast iron pan supports
- Extra large capacity oven (112 l) with grey enamel
- Gas oven
- 3 cooking functions: Gas bottom heating, Gas grill/broiler, rotisserie
- Rotary spit
- Smooth oven interior
- Oven interior light
- Adjustable feet
- Preset of liquid gas (28-30/37mbar)
- Natural gas nozzles (20 mbar) included

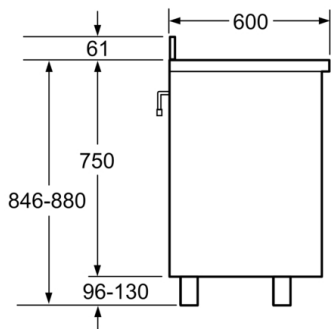
Serie | 2, Gas range cooker
HSG734357Z



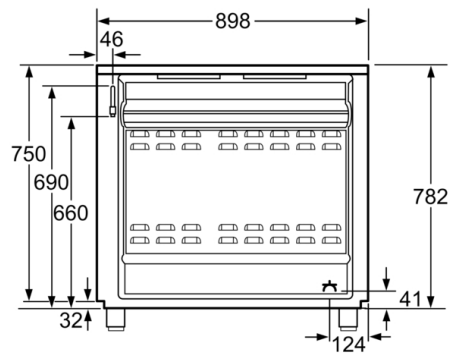
measurements in mm



measurements in mm



measurements in mm



measurements in mm