

**Series 2, Built-in Oven, 60 x 60 cm,
Stainless steel
HEN201E2**



Included accessories

1 x combination grid
1 x universal pan

**The built-in cooker with hot air function:
you achieve perfect baking and roasting
results on multiple levels simultaneously.**

Technical data

Gross weight : 34.9 kg
Color / Material Front : Stainless steel
Built-in / Free-standing : Built-in
Integrated Cleaning system : No
Min. required niche size for installation (HxWxD) : 600-604 x 560-568 x 550 mm
Dimensions : 595 x 595 x 548 mm
Dimensions of the packed product (HxWxD) : 660 x 680 x 640 mm
Control Panel Material : Metal
Door Material : Glass
Net weight : 32.7 kg
Usable volume of cavity : 66 l
Cooking method : Bottom heat, Circulating air, Conventional heat, Full width variable grill, Half width variable grill, Hot air grilling
Number of interior lights : 1
Interior Lights - cavity 1 : 1
Pull-out system : Accessory
Included accessories : 1 x combination grid, 1 x universal pan
Broil Element Wattages cavity 1 : 2800 W
Energy efficiency rating : A
Energy consumption per cycle conventional (2010/30/EC) : 0.96 kWh/cycle
Energy consumption per cycle forced air convection (2010/30/EC) : 0.88 kWh/cycle
Energy efficiency index (2010/30/EC) : 106.0 %
Connection Rating : 10600 W
Fuse protection : 3*16 A
Voltage : 220-240 V
Frequency : 60; 50 Hz
Plug type : fixed connection (electrical connection by electrician), No plug (electrical connection by electrician)
Color / Material Front : Stainless steel
Energy input : Electric
Required cutout/niche size for installation (in) : x x
Dimensions of the packed product : 25.98 x 25.19 x 26.77
Net weight : 72.000 lbs
Gross weight : 77.000 lbs
Net weight : 32.7 kg
Included accessories : 1 x combination grid, 1 x universal pan



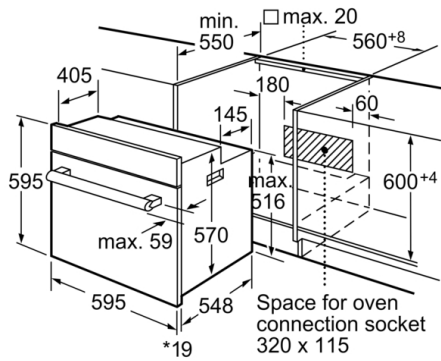
4 242002 777221

Series 2, Built-in Oven, 60 x 60 cm, Stainless steel HEN201E2

The built-in cooker with hot air function: you achieve perfect baking and roasting results on multiple levels simultaneously.

- Heating system multifunction (6 heating modes: Conventional top and bottom heat, Bottom heat, Hot air grilling, Circulating air, Variable full width grill, Half width variable grill)
- Temperature range 50 °C - 270 °C
- Cavity volume: 66 l
- Interior light
- Oven cavity with removable rack supports
- Integral cooling fan
- Full glass inner door
- Appliance dimension (hxwxd): 595 mm x 595 mm x 548 mm
- Energy efficiency rating (acc. EU Nr. 65/2014): B (at a range of energy efficiency classes from A+++ to D)
Energy consumption per cycle in conventional mode: 0.96 kWh
Energy consumption per cycle in fan-forced convection mode: 0.88 kWh
Number of cavities: 1 Heat source: electrical Cavity volume: 66 l

Series 2, Built-in Oven, 60 x 60 cm, Stainless steel
HEN201E2



*20 mm for metal fascias

Measurements in mm