

**Series 2, Built-in Oven, 60 x 60 cm,  
Stainless steel  
HBN301E2Z**



**Included accessories**

1 x enamel baking tray  
1 x combination grid  
1 x universal pan

**The built-in oven with special hot air function: you achieve perfect baking and roasting results on up to two levels simultaneously.**

**Technical data**

Gross weight : 33.2 kg  
Color / Material Front : Stainless steel  
Built-in / Free-standing : Built-in  
Integrated Cleaning system : No  
Min. required niche size for installation (HxWxD) : 575-597 x 560-568 x 550 mm  
Dimensions : 595 x 595 x 548 mm  
Dimensions of the packed product (HxWxD) : 650 x 675 x 650 mm  
Control Panel Material : Metal  
Door Material : Glass  
Net weight : 31.0 kg  
Usable volume of cavity : 66 l  
Cooking method : 3D hot air, Bottom heat, Conventional heat, Full width variable grill, Hot air grilling  
Number of interior lights : 1  
Length electrical supply cord : 100 cm  
Interior Lights - cavity 1 : 1  
Included accessories : 1 x enamel baking tray, 1 x combination grid, 1 x universal pan  
Broil Element Wattages cavity 1 : 2800 W  
Energy efficiency rating : A  
Energy consumption per cycle conventional (2010/30/EC) : 0.98 kWh/cycle  
Energy consumption per cycle forced air convection (2010/30/EC) : 0.82 kWh/cycle  
Energy efficiency index (2010/30/EC) : 98.8 %  
Connection Rating : 3600 W  
Fuse protection : 16 A  
Voltage : 220-240 V  
Frequency : 50 Hz  
Plug type : South Africa plug  
Color / Material Front : Stainless steel  
Energy input : Electric  
Required cutout/niche size for installation (in) : x x  
Dimensions of the packed product : 25.59 x 25.59 x 26.57  
Net weight : 68.000 lbs  
Gross weight : 73.000 lbs  
Length electrical supply cord : 100 cm  
Net weight : 31.0 kg  
Included accessories : 1 x enamel baking tray, 1 x combination grid, 1 x universal pan



4 242002 906782

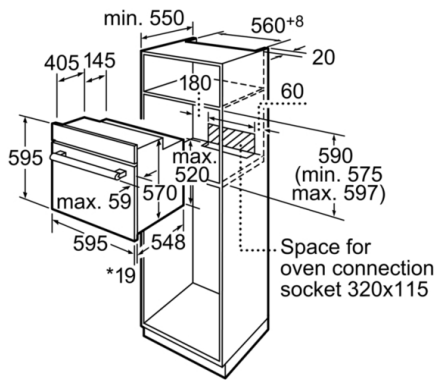
## **Series 2, Built-in Oven, 60 x 60 cm, Stainless steel HBN301E2Z**

**The built-in oven with special hot air function: you achieve perfect baking and roasting results on up to two levels simultaneously.**

---

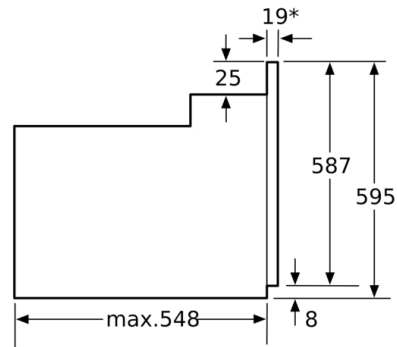
- Heating system multifunction (5 heating modes: 3D hot air (obsolete), Conventional top and bottom heat, Bottom heat, Hot air grilling, Variable full width grill)
- Fast heat
- Temperature range 50 °C - 270 °C
- Cavity volume: 66 l
- Interior light
- Enamelled cavity (brown)
- Oven cavity with removable rack supports
- 1 x combination grid, 1 x enamel baking tray, 1 x universal pan
- Integral cooling fan
- Removable oven door for easy-cleaning
- Total connected load electric: 3.6 KW
- Appliance dimension (hxwxd): 595 mm x 595 mm x 548 mm
- Cable with plug (1.00 m)
- Energy efficiency rating (acc. EU Nr. 65/2014): B (at a range of energy efficiency classes from A+++ to D)  
Energy consumption per cycle in conventional mode:0.98 kWh  
Energy consumption per cycle in fan-forced convection mode:0.82 kWh  
Number of cavities: 1 Heat source: electrical Cavity volume:66 l

**Series 2, Built-in Oven, 60 x 60 cm, Stainless steel**  
**HBN301E2Z**



\*20 mm for metal fascias

Measurements in mm



\* 20 mm for metal fascias

Dimensions in mm