

**Serie | 6, Built-in Oven, 60 x 60 cm,  
HBG337ES0**



**Included accessories**

1 x enamel baking tray  
1 x combination grid  
1 x universal pan

**Optional accessories**

HEZ317000 : Pizza pan, grey enamelled  
HEZ333001 : Lid for professional pan

**The built-in oven with AutoPilot:  
automatically prepares perfect dishes.**

- **3D Hotair:** perfect results thanks to optimal distribution of heat on up to 3 levels simultaneously.
- **AutoPilot 10:** every dish is a perfect success thanks to 10 pre-set automatic programmes.
- **LCD display control, white:** easy-to-use thanks to direct access to additional functions.
- **Pop-out controls:** Make the front of the oven easy to clean and give it a sleek look.
- **EcoClean Direct:** almost no cleaning is necessary thanks to a special coating of the rear wall that automatically absorbs grime.

**Technical data**

Built-in / Free-standing : Built-in  
Integrated Cleaning system : catalytic partial, Hydrolytic  
Required niche size for installation (HxWxD) : 585-595 x 560-568 x 550 mm  
Dimensions : 595 x 594 x 548 mm  
Dimensions of the packed product (HxWxD) : 675 x 690 x 660 mm  
Control Panel Material : Stainless steel  
Door Material : Glass  
Net weight : 34.357 kg  
Usable volume of cavity : 71 l  
Cooking method : Bottom heat, Conventional heat, Full width grill, Hot Air, Hotair gentle, Hot air grilling, Pizza setting  
First cavity material : Other  
Number of interior lights : 1  
Approval certificates : CE, VDE  
Length electrical supply cord : 120 cm  
Interior Lights - cavity 1 : 1  
Pull-out system : 1-level  
Clock function : Alarm, Off, On  
Included accessories : 1 x enamel baking tray, 1 x combination grid, 1 x universal pan  
Broil Element Wattages cavity 1 : 2700 W  
Convection Element Wattages cavity 1 : 2200 W  
Energy efficiency rating : A  
Energy consumption per cycle conventional (2010/30/EC) : 0.97 kWh/cycle  
Energy consumption per cycle forced air convection (2010/30/EC) : 0.81 kWh/cycle  
Energy efficiency index (2010/30/EC) : 95.3 %  
Connection Rating : 3400 W  
Fuse protection : 16 A  
Voltage : 220-240 V  
Frequency : 60; 50 Hz  
Plug type : GARDY plug w/ earthing  
Energy input : Electric  
Approval certificates : CE, VDE  
Required cutout/niche size for installation (in) : x x  
Dimensions of the packed product : 26.57 x 25.98 x 27.16  
Net weight : 76.000 lbs  
Gross weight : 80.000 lbs  
Length electrical supply cord : 120 cm  
Net weight : 34.357 kg  
Gross weight : 36.4 kg



4 242005 034055

## Serie | 6, Built-in Oven, 60 x 60 cm, HBG337ES0

### The built-in oven with AutoPilot: automatically prepares perfect dishes.

---

#### Dimensions:

- Appliance dimension (hxwx): 595 mm x 594 mm x 548 mm
- Niche dimension (hxwx): 560 mm - 568 mm x 585 mm - 595 mm x 550 mm
- "Please reference the built-in dimensions provided in the installation drawing"

#### Type of oven / heating system:

- Oven with 7 heating methods: Hot air cooking, Conventional top and bottom heat, Hot air grilling, Variable full width grill, Pizza setting, Bottom heat, Hotair gentle
- Temperature range 50 °C - 275 °C
- Cavity volume: 71 l

#### Hook-in racks / rails

- 1 level telescopic shelf, Detend function

#### Design:

- Rotary Control, Pop-out controls
- Extra large capacity oven with grey enamel

#### Cleaning:

- Ecolyse features: back panel
- Full glass inner door

#### Comfort:

- Electronic clock
- Heating-up control
- automatic programmes, 10
- Drop down door, soft closing, soft opening
- Rapid heating-up
- Halogen interior lighting
- Integral cooling fan
- Bar handle

#### Accessory:

- 1 x enamel baking tray, 1 x combination grid, 1 x universal pan

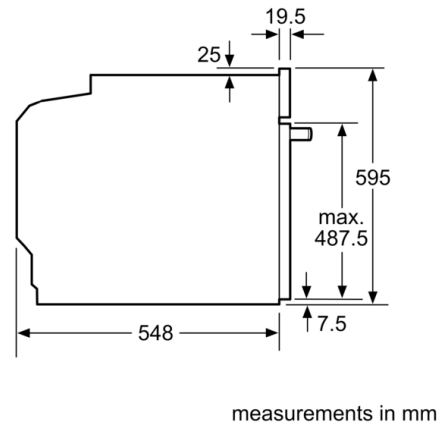
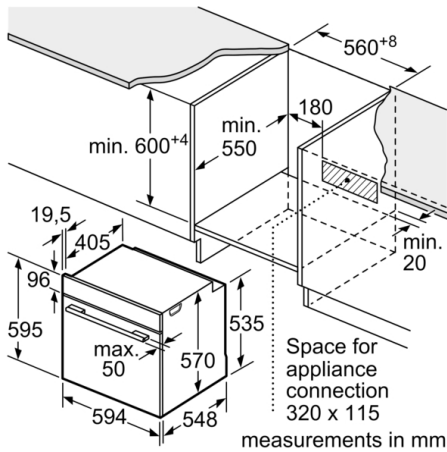
#### Comfort and Safety:

- Safety lock  
residual heat indicator

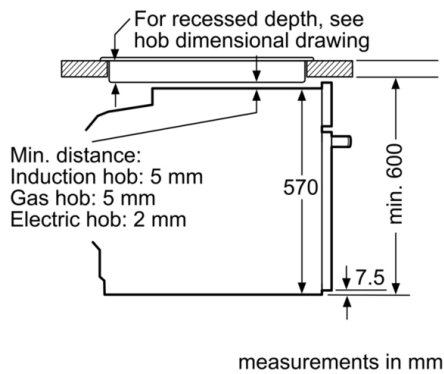
#### Technical Info:

- Length of mains cable: 120 cm
- Nominal voltage: 220 - 240 V
- Total connected load electric: 3.4 kW
- Energy efficiency rating (acc. EU Nr. 65/2014):  
Energy consumption per cycle in conventional mode: 0.97 kWh  
Energy consumption per cycle in fan-forced convection mode: 0.81 kWh  
Number of cavities: 1  
Heat source: electrical  
Cavity volume: 71 l

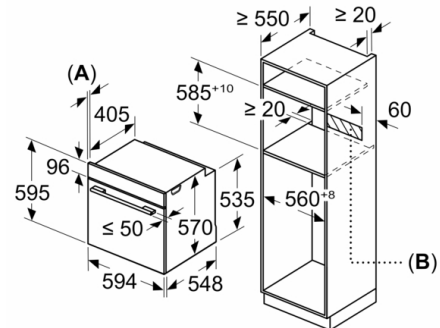
**Serie | 6, Built-in Oven, 60 x 60 cm,  
HBG337ES0**



Installation with a hob.



Measurements in mm



**A:** 19.5 mm  
**B:** Space for appliance connection 320 x 115 mm