

**Serie | 8, Built-in Freezer, 177.2 x 55.6 cm**  
**GIN38P60**



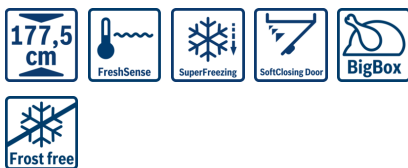
**A++**

**The NoFrost freezer with A++ rating and TouchControl: convenient control via sensor fields - saves you from defrosting.**

- **NoFrost:** never defrost again, thanks to perfect protection from ice formation - that saves time and effort.
- **BigBox frozen food drawer:** for stacking storage containers or for large frozen food items.
- **Energy efficiency class A++:** cools especially efficiently.
- A++ energy class refrigerator consumes %40 less energy than A energy class.
- Optimum located LED Side light and LED Spot light which enlightens the fruit and vegetable drawers provide much more brightness.

**Technical data**

Product category :	Upright freezer
Built-in / Free-standing :	Built-in
Color / Material body :	White
Frost free system :	Fridge and freezer
Climate class :	SN-T
Door panel options :	Not possible
Width of the product (mm) :	556
Depth of the product :	545
Dimensions of the packed product (HxWxD) (mm) :	1980 x 660 x 630
Warning signal / malfunction :	visual and audible
Cover door installation system :	Fixed-mounted
Number of drawers/baskets (Stck) :	5
Number of freezing flaps (Stck) :	2
Lockable door :	No
Thermometer freeze section :	Digital
Light :	Yes
Length electrical supply cord (cm) :	230
Door hinge :	Left reversible
Net weight (kg) :	77.819
Gross weight (kg) :	83.2
Multi-Flow Air Tower :	No
Number of compressors :	1
Number of independent cooling systems :	1
Economy setting :	No
Fast freezing switch :	No
Number of Door Bins - Freezer :	0
Door bin adjustability - Freezer :	No
Tilt-out door bins in freezer :	No
Number of shelves - Freezer :	0
Door bin adjustability - Freezer :	No
Shelf Material - Freezer :	Plastic
Reversible Door Hinge :	Yes
Connection Rating (W) :	120
Current (A) :	10
Frequency (Hz) :	50
Approval certificates :	CE, Morocco, Ukraine, VDE
Main colour of product :	White
Door panel options :	Not possible
Installation typology :	Full-integrated
Noise level (dB(A) re 1 pW) :	42
Energy Star Qualified :	No
Approval certificates :	CE, Morocco, Ukraine, VDE
Plug type :	Gardy plug w/ earthing
Required cutout/niche size for installation (in) :	x x
Dimensions of the packed product (in) :	77.95 x 24.80 x 25.98
Net weight (lbs) :	172
Gross weight (lbs) :	184



**Included accessories**

- 2 x cold accumulator
- 1 x ice cube tray



## **Serie | 8, Built-in Freezer, 177.2 x 55.6 cm GIN38P60**

**The NoFrost freezer with A++ rating and  
TouchControl: convenient control via sensor  
fields - saves you from defrosting.**

---

### **General Information**

- Energy efficiency class: A++ (242 kWh per year). Actual energy consumption will depend on how the appliance is used and where it is located.
- Net freezer capacity 210 litres
- Door left hinged, reversible
- Flat hinge

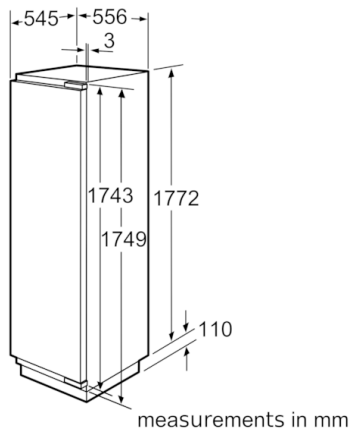
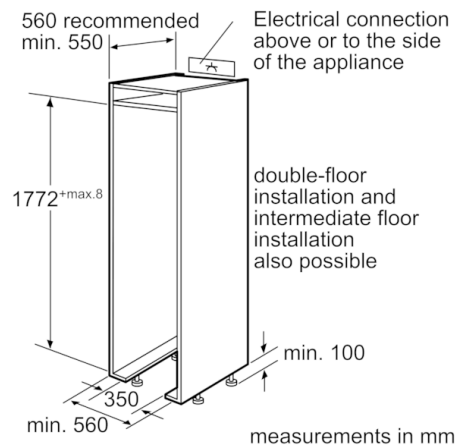
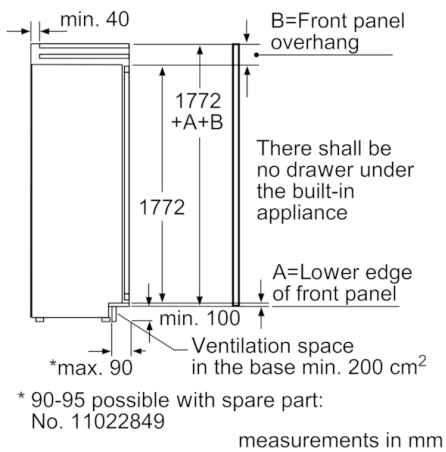
### **Comfort and Safety**

- LED electronic control
- Automatic switch off
- Door opening aid

### **Freezer Section**

- 2 hinged freezer compartments with transparent front
- 5 freezer drawers, incl. 1 Big Box
- Calendar frozen food
- Safety glass shelves between freezer drawers
- LED Lighting

**Serie | 8, Built-in Freezer, 177.2 x 55.6 cm  
GIN38P60**



measurements in mm

Recommended gap dimensions for flat hinges

	F	R	X
16-19	0-3	2.5	
	20	0-1	3
21	2-3	2.5	
	21	0-1	3
22	2-3	2.5	
	22	0	4
		1	3.5
	2-3	3	

The gap dimensions recommended in the table must be adhered to in order to ensure that appliance doors do not collide with anything when they are opened, and to avoid causing damage to kitchen units.