

Serie | 2, Wall-mounted Extractor Hood, 60 cm, clear glass black printed DWK065G60



The wall-mounted chimney hood: mount it on the wall, giving you complete freedom in your kitchen planning.

- **LED-Illumination:** The energy-saving lighting provides bright and clear lighting for the hob area.
- **Extraction rate:** at MAX_FOERDERLEISTUNG m³/h, it quickly ensures optimal kitchen air quality.
- **Metal grease filters:** filter grease and other solid particles out of the extracted air
- Pi shaped double metal filter
- TouchControl - control at your fingertips.

Technical data

Typology : Wall-mounted
 Approval certificates : CE
 Length electrical supply cord : 130 cm
 Height of product, without chimney : 354 mm
 Net weight : 10.447 kg
 Type of control : Electronic
 Number of speed settings : 3
 Maximum output air extraction : 593 m³/h
 Maximum output recirculating air : 250 m³/h
 Number of lights : 2
 Noise level : 67 dB
 Diameter of air outlet : 150 / 120 mm
 Grease filter material : Washable aluminium
 Odour filter : No
 Operating Mode : Convertible
 Optional accessories : DWA0LK6A
 Type of lamps used : LED
 Grease filter type : Kasette
 Connection Rating : 216 W
 Fuse protection : 10 A
 Voltage : 220-240 V
 Frequency : 50 Hz
 Plug type : Gardy plug w/ earthing
 Installation typology : Wall-mounted
 Material body : Glass, Lacquered
 Approval certificates : CE
 Plug type : Gardy plug w/ earthing
 Dimensions of the product, with chimney (if exists) (in) : / x x
 Dimensions of the packed product : 18.11 x 27.55 x 18.50
 Net weight : 23.000 lbs
 Gross weight : 36.000 lbs
 Motor location : Integrated motor in hood body
 No-return airflow flap : Yes
 Length electrical supply cord : 130 cm
 Dimensions of the product, with chimney (if exists) : x 596.0 x 386.0 mm
 Dimensions of the packed product (HxWxD) : 460 x 700 x 470 mm
 Net weight : 10.447 kg
 Gross weight : 16.2 kg



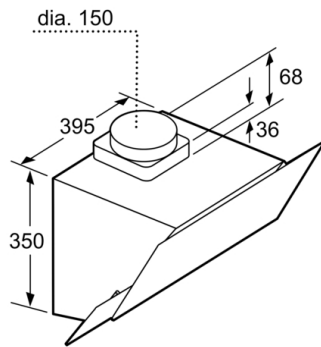
Serie | 2, Wall-mounted Extractor Hood, 60 cm, clear glass black printed DWK065G60

The wall-mounted chimney hood: mount it on the wall, giving you complete freedom in your kitchen planning.

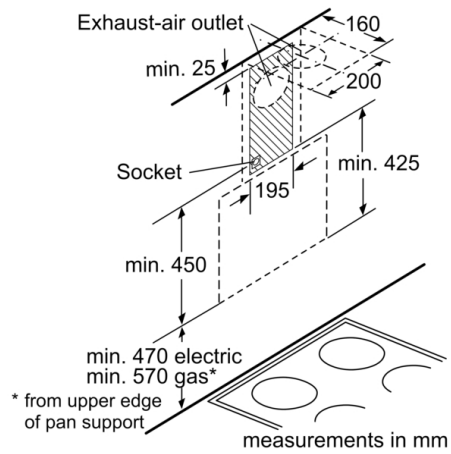
Technical information:

- Chimney extractor hood
- Designed for wall mounted installation
- Suitable for ducted or recirculating operation
- 60 cm wide
- Recirculating kit
- touch control with Electronic display
- Electronic controls via touch control with Electronic display
- black with glass canopy
- 3 speed operation
- Metal grease filter with side extraction
- Filter cover glass
- Removable metal grease filters, dishwasher safe
- Maximum extraction 593 m³/h
- Diameter pipe Ø 150 mm (Ø 120 mm enclosed)
- Power rating: 216 W
- Light Intensity: 377 lux
- Colour Temperature: 3000 K
- Energy Efficiency Class: C*
- Average Energy Consumption: 94.4 kWh/year*
- Noise max. Normal Level: 67 dB*

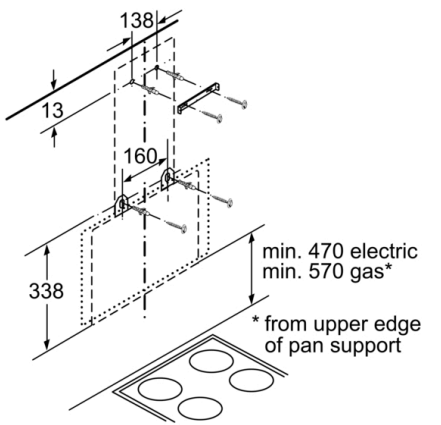
Serie | 2, Wall-mounted Extractor Hood, 60 cm, clear glass black printed DWK065G60



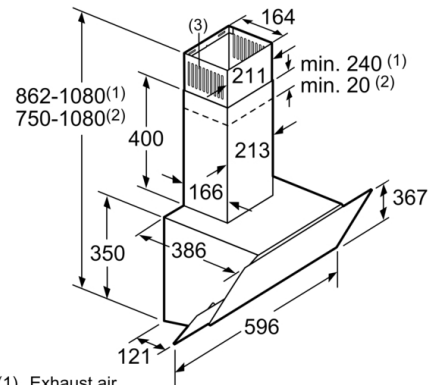
measurements in mm



measurements in mm



measurements in mm



(1) Exhaust air
(2) Circulated air
(3) Air outlet – slots for exhaust air to be mounted facing down
measurements in mm