

Series 8, Wall-mounted Extractor Hood, 90 cm, clear glass black printed DWF97RU60



Flat design hood: always keep an eye on your pots and pans with this design highlight.

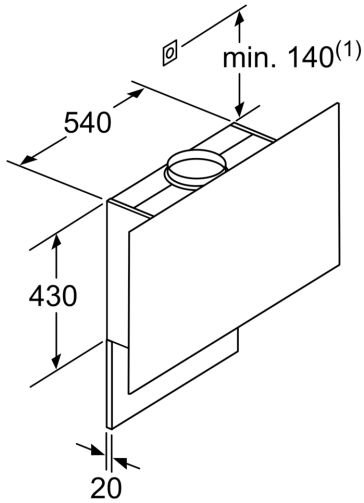
- **Especially silent:** maximal extractor performance with minimal noise
- **Easy-to-clean interior:** hidden screws and cables along with rounded edges make cleaning easy.
- **Intensive speed setting:** removes strong kitchen odours especially quickly and effectively.
- **Extraction rate:** at MAX_FOERDERLEISTUNG m³/h, it quickly ensures optimal kitchen air quality.

- DZZ1XX1B6 Clean Air Plus odor filter (replacement)
- HEZG9AS00S Adapter
- DWZ1AF1I6 Clean Air Plus recirculation kit
- DWZ1AF1V6 Clean Air Plus recirc. kit (chimless)
- DWZ1AX5C6 Clean Air Plus recirc. kit external
- DWZ1AX6E1 Chimney standard black
- DZZ0XX0P0 Long Life odor filter (replacement)
- DWZ0AF0R0 Long Life recirculation kit (chimless)
- DWZ0AF0S0 Long Life recirculation kit
- DWZ0AX5K0 Chimney extension 1000 mm
- DWZ0AX5L0 Chimney extension 1500 mm
- DWZ1AF1B6 Clean Air Plus odor filter (replacement)

Typology:Wall-mounted
 Length electrical supply cord: 130.0 cm
 Height of the appliance: 430 mm
 Minimum distance above an electric hob: 450 mm
 Net weight: 25.2 kg
 Type of control:Electronic
 Number of speed settings:3-stage + 2 intensive
 Max. air extraction:394 m³/h
 Boost position output recirculating: 404 m³/h
 Max. air recirculation: 249 m³/h
 Boost position air extraction: 717 m³/h
 Maximum Air flow:394 m³/h
 Number of lights: 2
 Noise level:57 dB(A) re 1 pW
 Diameter of air outlet: 120 / 150 mm
 Grease filter material:Washable aluminium
 EAN code:4242002946566
 Connection rating: 146 W
 Fuse protection:10 A
 Voltage: 220-240 V
 Frequency: 50; 60 Hz
 Plug type: Gardy plug w/ earthing
 Installation typology:Wall-mounted
 Delay Shut off modes: 1-99 min



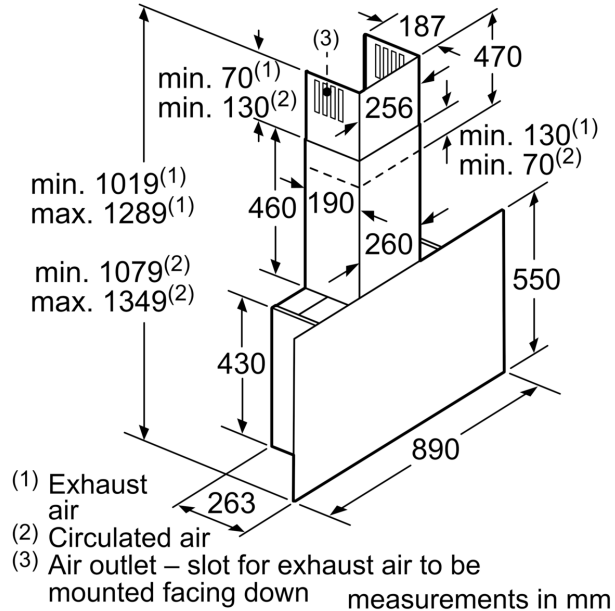
Series 8, Wall-mounted Extractor
Hood, 90 cm, clear glass black
printed
DWF97RU60



(1) Position of socket

Note the maximum thickness of the back panel.

measurements in mm

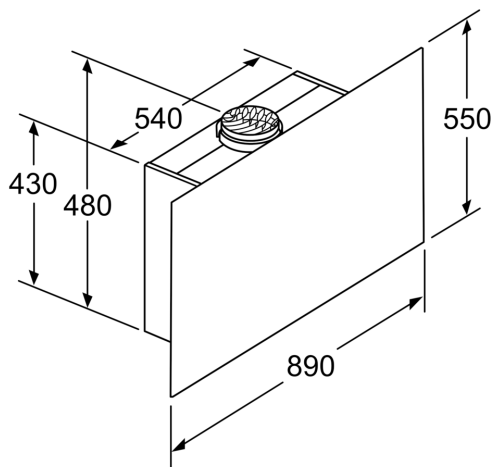


(1) Exhaust air

(2) Circulated air

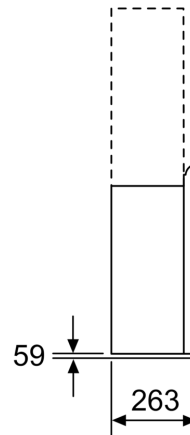
(3) Air outlet – slot for exhaust air to be mounted facing down

measurements in mm



Appliance in circulated air mode
 without duct
 Circulated air set required

measurements in mm



measurements in mm

