

Serie | 6, Wall-mounted Extractor Hood, 90 cm, Stainless steel DWB097E51

A⁺



The wall-mounted chimney hood: mount it on the wall, giving you complete freedom in your kitchen planning.

- **Extraction rate:** at 730 m³/h, it quickly ensures optimal kitchen air quality.
- **Especially quiet:** high performance at just 41 dB.
- **LED lighting:** for perfect, very energy-efficient illumination of the hob.
- **Intensive speed setting with reset:** automatically resets the hood to normal speed setting after 6 min..

Technical data

Typology :	Chimney
Approval certificates :	CE, Morocco, VDE
Length electrical supply cord (cm) :	130
Height of the chimney (mm) :	582-908/582-1018
Height of product, without chimney (mm) :	46
Net weight (kg) :	17.968
Type of control :	Electronic
Number of speed settings :	3-stage + 2 intensive
Maximum output air extraction (m ³ /h) :	460
Boost position output recirculating (m ³ /h) :	440.0
Boost position air extraction (m ³ /h) :	730
Number of lights :	3
Noise level (dB(A) re 1 pW) :	55
Diameter of air outlet (mm) :	120 / 150
Grease filter material :	Washable aluminium
Odour filter :	No
Operating Mode :	Convertible
Delay Shut off modes :	10M
Optional accessories :	DHZ1223, DHZ1233, DHZ5345, DHZ5346, DSZ5201, DSZ6240, DZZ0XX0PC
Type of lamps used :	LED
Total power of the lamps (W) :	9
Grease filter type :	Kassette
Connection Rating (W) :	139
Current (A) :	10
Voltage (V) :	220-240
Frequency (Hz) :	50; 60
Plug type :	Gardy plug w/ earthing
Installation typology :	Wall-mounted
Material body :	Stainless steel
Approval certificates :	CE, Morocco, VDE
Plug type :	Gardy plug w/ earthing
Dimensions of the product, with chimney (if exists) (in) :	/ x x
Dimensions of the packed product (in) :	23.03 x 25.59 x 38.18
Net weight (lbs) :	40
Gross weight (lbs) :	52
Motor location :	Integrated motor in hood chimney
No-return airflow flap :	Yes
Length electrical supply cord (cm) :	130
Dimensions of the product, with chimney (if exists) (mm) :	628-1064 x 900.0 x 500.0
Dimensions of the packed product (HxWxD) (mm) :	585 x 650 x 970
Net weight (kg) :	17.968
Gross weight (kg) :	23.7

Optional accessories

- DHZ5345 : Standard recirculation kit
- DHZ5346 : Standard odor filter (replacement)



Serie | 6, Wall-mounted Extractor Hood, 90 cm, Stainless steel DWB097E51

The wall-mounted chimney hood: mount it on the wall, giving you complete freedom in your kitchen planning.

Design:

- 90 cm, Chimney extractor hood
- Brushed steel

Operating and power:

- Intensive op. revert dur.: 6 min.
- Twin channel high performance fan motor
- Extraction rate exhaust air according to EN 61591:
max. normal use 460 m³/h, intensive 730 m³/h
- Additional noise insulation

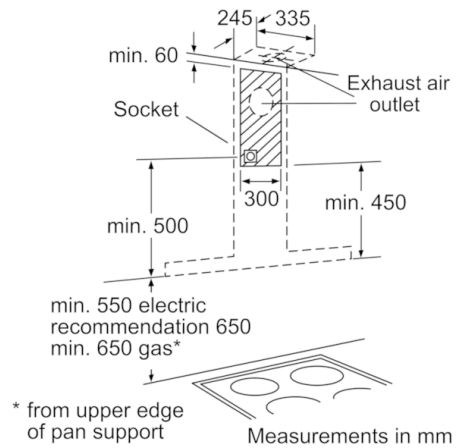
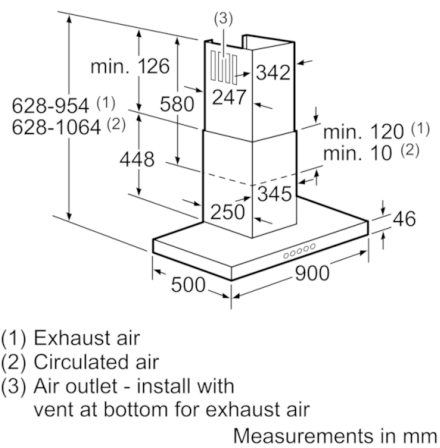
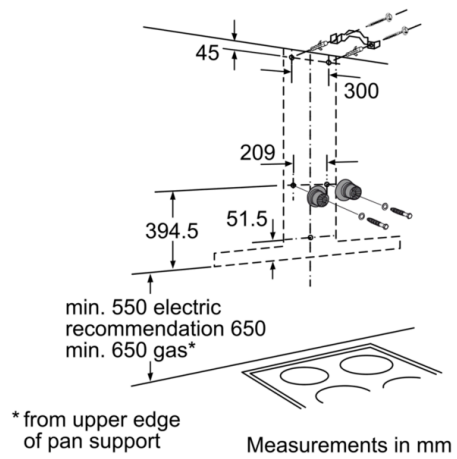
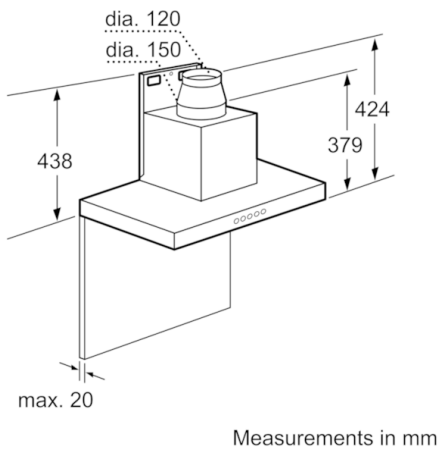
Comfort and Safety:

- Chimney extractor hood
- 90 cm wide
- Designed for wall mounted installation
- Suitable for ducted or recirculating operation
- Recirc. kit or clean air kit
- Chimney hood wall fixing syst.
- push button controls with 7-segment display
- Electronic controls via push button controls with 7-segment display
- Light dimmer function
- softlight dimmer function
- Removable metal grease filters, dishwasher safe
- grease- and charcoal filter
- Comfort:

Measures:

Technical information:

**Serie | 6, Wall-mounted Extractor Hood, 90 cm, Stainless steel
DWB097E51**



- (1) Exhaust air
- (2) Circulated air
- (3) Air outlet - install with vent at bottom for exhaust air