

Serie | 6

DWA097E50
90 cm, Chimney extractor hood
Glass brand design
Brushed steel with glass canopy



Optional accessories

DHZ5325 : Recirculating kit
 DHZ5326 : Active carbon filter

The wall-mounted chimney hood: mount it on the wall, giving you complete freedom in your kitchen planning.

- **Extraction rate:** at 690 m³/h, it quickly ensures optimal kitchen air quality.
- **LED lighting:** for perfect, very energy-efficient illumination of the hob.
- **Intensive speed setting with reset:** automatically resets the hood to normal speed setting after 6 min..
- **Especially quiet:** high performance at just 45 dB.

Technical data

Color chimney :	Stainless steel
Typology :	Chimney
Approval certificates :	CE, Eurasian, VDE
Length electrical supply cord (cm) :	130
Height of the chimney (mm) :	582-902/582-1012
Height of product, without chimney (mm) :	52
Net weight (kg) :	18.734
Type of control :	Electronic
Number of speed settings :	3-stage + 2 intensive
Maximum output air extraction (m ³ /h) :	450
Boost position output recirculating (m ³ /h) :	360
Maximum output recirculating air (m ³ /h) :	300
Boost position air extraction (m ³ /h) :	690
Number of lights :	2
Noise level (dB(A) re 1 pW) :	59
Diameter of air outlet (mm) :	120 / 150
Grease filter material :	Washable aluminium
Odour filter :	No
Operating Mode :	Convertible
Delay Shut off modes :	10M
Optional accessories :	DHZ1225, DHZ1235, DHZ5325, DHZ5326, DSZ5201, DSZ6200, DZZ0XX0P0
Type of lamps used :	LED
Total power of the lamps (W) :	6
Grease filter type :	Kassette
Connection Rating (W) :	136
Current (A) :	10
Voltage (V) :	220-240
Frequency (Hz) :	50; 60
Plug type :	Gardy plug w/ earthing
Installation typology :	Wall-mounted
Material body :	Glass, Stainless steel
Approval certificates :	CE, Eurasian, VDE
Plug type :	Gardy plug w/ earthing
Dimensions of the product, with chimney (if exists) (in) :	/ x x
Dimensions of the packed product (in) :	23.03 x 25.59 x 38.18
Net weight (lbs) :	41
Gross weight (lbs) :	54
Motor location :	Integrated motor in hood chimney
No-return airflow flap :	Yes
Length electrical supply cord (cm) :	130
Dimensions of the product, with chimney (if exists) (mm) :	634-1064 x 900 x 540
Dimensions of the packed product (HxWxD) (mm) :	585 x 650 x 970
Net weight (kg) :	18.734
Gross weight (kg) :	25.0



4 242002 776132

Serie | 6 Hoods

DWA097E50

90 cm, Chimney extractor hood

Glass brand design

Brushed steel with glass canopy

The wall-mounted chimney hood: mount it on the wall, giving you complete freedom in your kitchen planning.

-
- Chimney extractor hood
 - 90 cm wide
 - Designed for wall mounted installation
 - Glass plate clear glass
 - Suitable for ducted or recirculating operation
 - Recirc. kit or clean air kit
 - Electronic controls via push button controls with 7-segment display
 - Twin channel high performance fan motor
 - Light dimmer function
 - Removable metal grease filters, dishwasher safe
 - Extraction rate according to DIN/EN 61591 ø 15 cm: max. Normal 450 m³/h Intensive 690 m³/h
 - Extraction rate exhaust air according to EN 61591: max. normal use 450 m³/h, intensive 690 m³/h
 - Noise level according to EN 60704-3 and EN 60704-2-13 exhaust air:
Max. normal use: 59 dB(A) re 1 pW (45 dB(A) re 20 µPa sound pressure)
Intensive: 70 dB(A) re 1 pW (56 dB(A) re 20 µPa sound pressure)
 - Dimensions exhaust air (HxWxD): 634-954 x 900 x 540 mm
 - Dimensions recirculating (HxWxD): 634-1064 x 900 x 540 mm
 - Dimensions recirculating with CleanAir module (HxWxD):
689 x 900 x 540 mm - mounting with outer chimney
809-1139 x 900 x 540 mm - mounting with telescopic chimney
 - Power rating: 136 W

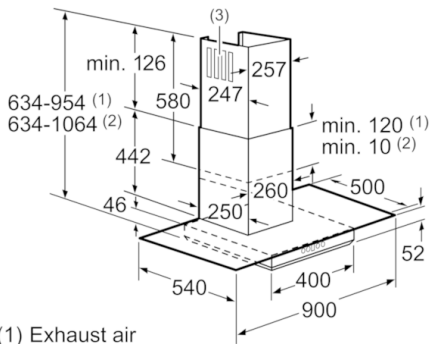
Serie | 6 Hoods

DWA097E50

90 cm, Chimney extractor hood

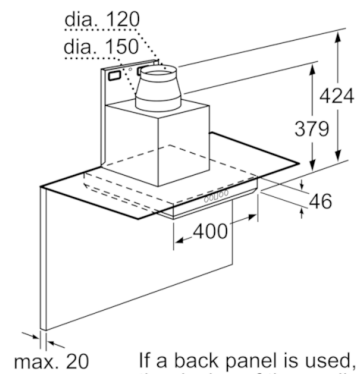
Glass brand design

Brushed steel with glass canopy



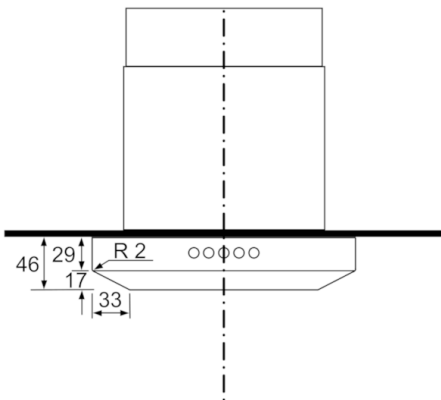
- (1) Exhaust air
- (2) Circulated air
- (3) Air outlet - Fit the exhaust air slot facing downwards

Measurements in mm

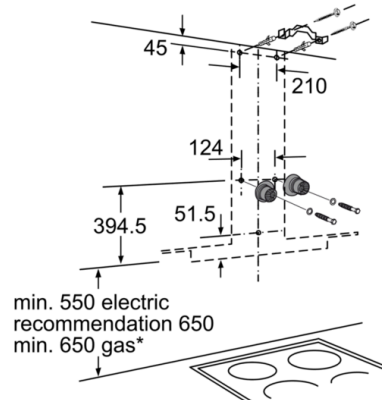


If a back panel is used, the design of the appliance must be considered.

Measurements in mm

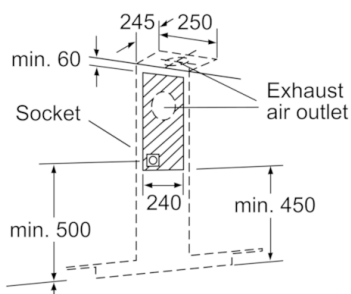


Measurements in mm



* From upper edge of pan support

Measurements in mm



min. 550 electric recommendation 650
min. 650 gas*

* from upper edge of pan support

Measurements in mm