

**Serie | 8, Gas hob, 90 cm, Ceramic
PRS9A6D70**



Included accessories
1 x WOK attachment ring

**The ceramic glass gas hob with
FlameSelect: achieve perfect cooking
results thanks to nine precisely defined
power levels.**

- **FlameSelect:** for a precise adjustment of the flame in nine defined levels.
- **Dual wok burner:** dual flame system for very powerful cooking at up to 6 kW.
- Dual flame power burner with two heat options, quickly boil water or maintain a precise simmer.
- **Dishwasher-proof pan supports:** for a convenient cleaning in the dishwasher.
- Ceramics glass is much more slim and durable with better vertical conduction.

Technical data

Product name/family : gas hob w integrated controls
 Total number of positions that can be used at the same time : 5
 Type of control setting devices : sword knobs
 Required niche size for installation (HxWxD) : 45 x 850-852 x 490-502 mm
 : 916 mm
 Dimensions : 59 x 916 x 527 mm
 Dimensions of the packed product (HxWxD) : 165 x 1116 x 659 mm
 Net weight : 18.1 kg
 Gross weight : 21.8 kg
 Residual heat indicator : Separate
 Basic surface material : Ceramic
 Color of surface : Black
 Color of frame : Black
 Approval certificates : CE, Eurasian, Morocco, Ukraine
 Length electrical supply cord : 150 cm
 Knob Material : Plastic
 Sealed Burners : No
 Type of pan support : Elongated cast iron pan support
 Power of 4th heating element (kW) : 1.1 kW
 Power of 5th heating element (kW) : 2.8 kW
 : 2 W
 Gas connection rating : 13700 W
 Fuse protection : 3 A
 Voltage : 220-240 V
 Frequency : 60; 50 Hz
 : Black
 Gas type : Nat gas H/E/(L) 20 (25) mbar
 Alternative gas type : Liquid gas G30,31 28-30/37mbar
 Approval certificates : CE, Eurasian, Morocco, Ukraine
 Plug type : no plug (electrical connection by electrician)
 Appliance Dimensions (h x w x d) (in) : + x x
 Dimensions of the packed product : 6.49 x 25.94 x 43.93
 Net weight : 40.000 lbs
 Gross weight : 48.000 lbs
 Total number of positions that can be used at the same time : 5
 Length electrical supply cord : 150 cm
 Required niche size for installation (HxWxD) : 45 x 850-852 x 490-502 mm
 Dimensions : 59 x 916 x 527 mm
 Dimensions of the packed product (HxWxD) : 165 x 1116 x 659 mm
 Net weight : 18.1 kg
 Gross weight : 21.8 kg



Serie | 8, Gas hob, 90 cm, Ceramic PRS9A6D70

**The ceramic glass gas hob with FlameSelect:
achieve perfect cooking results thanks to
nine precisely defined power levels.**

Design:

- Ceramic glass

Comfort:

- Step valve 9 steps
- Electronic display
- sword knobs
- Ignition via control knob
- Cast iron pan supports
- Pan supports dishwasher proof

Power and size:

- 5 Gas burners
- dual wok burner
- 4gas+wok (left)
- Right rear: Rapid burner 2.8 KW
- Left: Wok burner up to 6 KW (depending on gas type)
- Center rear: Economy burner up to 1.1 KW (depending on gas type)
- Center front: Standard burner up to 1.9 KW (depending on gas type)
- Right front: Standard burner 1.9 KW

Environment and Safety:

- Flame failure safety device
- Residual heat indicator
- Preset of natural gas (20mbar)

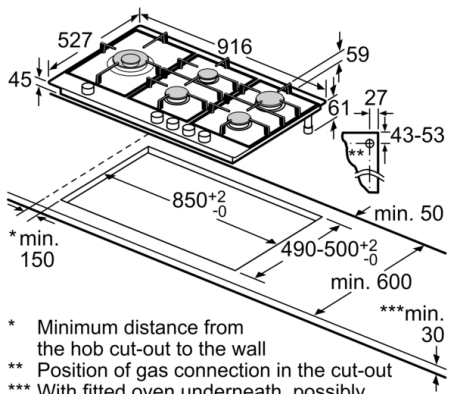
Measurements:

- Power cord length: 150 cm

Accessories

- Liquid gas nozzles (28-30/37mbar) included

**Serie | 8, Gas hob, 90 cm, Ceramic
PRS9A6D70**



- * Minimum distance from the hob cut-out to the wall
 - ** Position of gas connection in the cut-out
 - *** With fitted oven underneath, possibly more; see space requirements for the oven
- measurements in mm