

**Serie | 2, Mixed hob (gas and electric), 60 cm, Black  
PBY6C6B800**



**Included accessories**  
1 x cross support for espresso

**The gas hob with side-mounted controls:  
the desired cooking zones can be  
conveniently operated from the side.**

- **Biomethane ready:** Your gas hob can also be powered with renewable biomethane gas.

**Technical data**

Product name/family : mixed hob w integr controls  
Total number of positions that can be used at the same time : 3  
Type of control setting devices : sword knobs  
Required niche size for installation (HxWxD) : 43 x 560-560 x 480-490 mm  
: 580 mm  
Dimensions : 43 x 580 x 510 mm  
Dimensions of the packed product (HxWxD) : 150 x 620 x 570 mm  
Net weight : 7.760 kg  
Gross weight : 8.6 kg  
Residual heat indicator : without  
Basic surface material : Enamel  
Color of surface : Black  
Color of frame : Black  
Approval certificates : TSE  
Length electrical supply cord : 100 cm  
Knob Material : Plastic  
Sealed Burners : No  
: 1000 W  
Gas connection rating : 5700 W  
Fuse protection : 10 A  
Voltage : 220-240 V  
Frequency : 60; 50 Hz  
: Black  
Gas type : Nat gas H/E/(L) 20 (25) mbar  
Alternative gas type : Liquid gas G30,31 28-30/37mbar  
Approval certificates : TSE  
Plug type : Gardy plug w/ earthing  
Appliance Dimensions (h x w x d) (in) : + x x  
Dimensions of the packed product : 5.90 x 22.44 x 24.40  
Net weight : 17.000 lbs  
Gross weight : 19.000 lbs  
Total number of positions that can be used at the same time : 3  
Length electrical supply cord : 100 cm  
Required niche size for installation (HxWxD) : 43 x 560-560 x 480-490 mm  
Dimensions : 43 x 580 x 510 mm  
Dimensions of the packed product (HxWxD) : 150 x 620 x 570 mm  
Net weight : 7.760 kg  
Gross weight : 8.6 kg



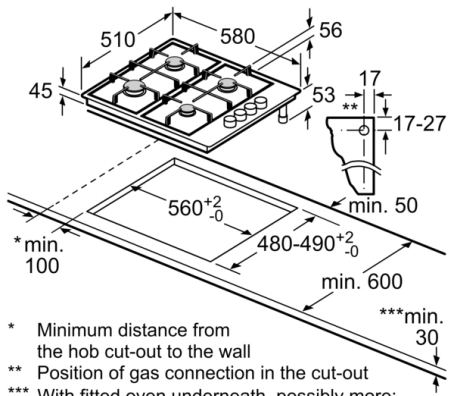
**Serie | 2, Mixed hob (gas and electric), 60  
cm, Black  
PBY6C6B800**

**The gas hob with side-mounted controls: the  
desired cooking zones can be conveniently  
operated from the side.**

---

- 1 rapid, 1 standard, 1 economy burner, 1 electric cooking zone
- Front left: Rapid burner 3 KW
- Rear left: Standard cooking zone 1 KW
- Rear right: Standard burner 1.7 KW
- Front right: Economy burner 1 KW
- Ignition via control knob
- Flame failure safety device
- Steel pan supports
- Connecting cable 1 m with plug
- Preset of natural gas (20mbar)
- Liquid gas nozzles (28-30/37mbar) included

**Serie | 2, Mixed hob (gas and electric), 60  
cm, Black  
PBY6C6B800**



- \* Minimum distance from the hob cut-out to the wall
  - \*\* Position of gas connection in the cut-out
  - \*\*\* With fitted oven underneath, possibly more; see space requirements for the oven
- measurements in mm