

Serie | 6, built-in fridge-freezer with freezer at bottom, 177.2 x 55.8 cm KIS87AF30N



Included accessories

2 x cold accumulator
2 x egg tray
1 x ice cube tray

- **LED light:** illuminates the refrigerator evenly without glare, for the life of the appliance.
- **VarioZone:** more flexibility due to variable-use glass shelves and drawers in the freezer compartment.
- **BigBox frozen food drawer:** for stacking storage containers or for large frozen food items.
- **EasyAccess Shelf:** retractable glass shelf for convenient loading and unloading and a perfect view.
- **LowFrost:** defrost less often thanks to lower ice formation - saves work and is energy-efficient.

Technical data

Number of compressors : 1
Number of independent cooling systems : 2
: 558 mm
: 545 mm
Net weight : 66.945 kg
Required niche size for installation (HxWxD) : 1775.0 x 560 x 550 mm
Door panel options : Not possible
: Right reversible
Number of Adjustable Shelves in fridge compartment : 4
Shelves for Bottles : No
Frost free system : No
Interior ventilator : No
Reversible Door Hinge : Yes
Length electrical supply cord : 230 cm
: 36 dB
Multi-Flow Air Tower : No
Fast cooling switch : Yes
Fast freezing switch : No
Temperature Controlled Drawer : No
Humidity Control Drawer : Yes
Number of Door Bins - Refrigerator : 4
Door bin adjustability - Refrigerator : No
Tilt-out door bins in fridge : Yes
Gallon wide door bins : Yes
Number of Gallon storage : 1
Motorized Shelf : No
Door opened indicator freezer : Yes
Drawers with telescopic rails : none
Automatic motor-driven ice-maker : No
: 90 W
Fuse protection : 10 A
Voltage : 220-240 V
Frequency : 50 Hz
Storage Period in Event of Power Failure (h) : 26 h
Approval certificates : CE, VDE
: N/A
Door panel options : Not possible
: 36 dB
Energy consumption annual - NEW (2010/30/EC) : 225.00 kWh/annum
Refrigerator Net capacity - NEW (2010/30/EC) : 209 l
Freezer Net capacity - NEW (2010/30/EC) : 61 l
Frost free system : No
Freezing capacity) - NEW (2010/30/EC) : 7 kg/24h
Energy Star Qualified : No
Approval certificates : CE, VDE
Plug type : Garty plug w/ earthing
Required cutout/niche size for installation (in) : x x
Dimensions of the packed product : 72.44 x 24.40 x 25.19
Net weight : 148.000 lbs
Gross weight : 159.000 lbs



Serie | 6, built-in fridge-freezer with freezer at bottom, 177.2 x 55.8 cm KIS87AF30N

General Information

- Nominal voltage: 220 - 240 V
- egg tray, ice cube tray, cold accumulator
- 7 segment electronic control

- Energy Efficiency Class: A++
- Gross capacity 276 l
- Low Frost
- Active Warning System by Temperatur increase, with failure memory function
- Acoustic open door warning system

Design

- LED interior light in fridge section

Performance and consumption

- Energy consumption: 225 kWh/yr
- Net capacity: 270 l

Comfort and Safety

- Two Cooling Systems
- Holiday mode
- Noise level: 36 dB(A) re 1 pW

Fridge Section

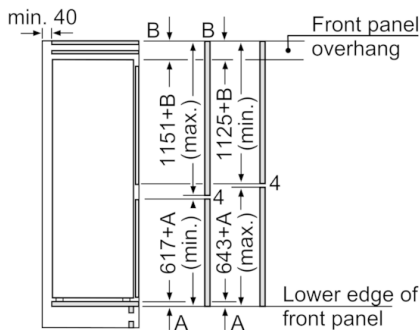
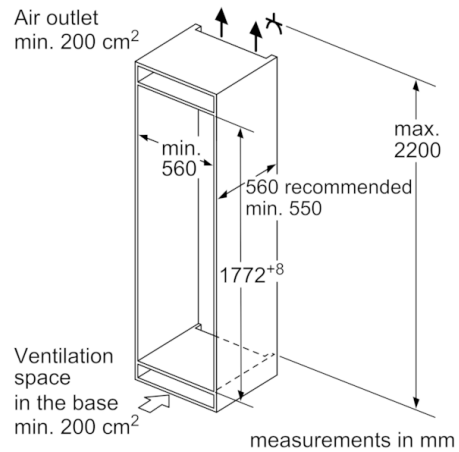
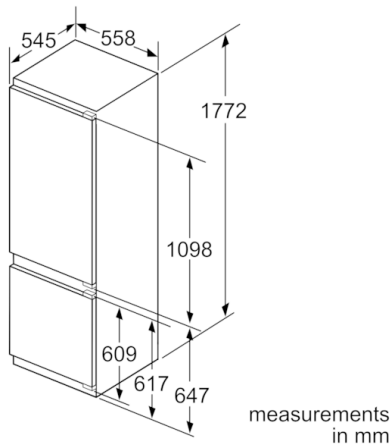
- Net fridge capacity total: 209 l
- Gross capacity cooling 212 l
- Supercool function
- 1 VitaFresh plus drawer with humidity control - Fruits and vegetables retain vitamins and stay fresh up to 2 times longer. with humidity control - keeps fruit and vegetables up to 2 x longer fresh!
- FreshSense - constant temperature by intelligent sensor technology
- 1 VitaFresh plus drawer with humidity control - Fruits and vegetables retain vitamins and stay fresh up to 2 times longer.
- 5 door bins, there of 1x dairy compartment

Freshness System

Freezer Section

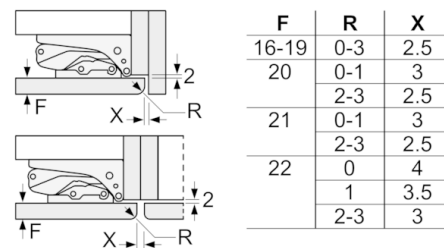
- Gross capacity**** freezer: 64 l (-18°C and below)
- Net capacity **** freezer: 61 l
- Super freezing with automatic switch off
- 2 transparent freezer drawers, incl.1 BigBox
- Freezing capacity: 7 kg/24 h
- Storage time in power failure: 26 h
- Door right hinged, reversible
- Climate Class: SN-T
- Dimensions (H x W x D): 177.2 cm x 55.8 cm x 54.5 cm

Serie | 6, built-in fridge-freezer with freezer at bottom, 177.2 x 55.8 cm
KIS87AF30N



The specified unit door dimensions are valid for a door gap of 4 mm.
 measurements in mm

measurements in mm
 Recommended gap dimensions for flat hinges



F	R	X
16-19	0-3	2.5
20	0-1	3
	2-3	2.5
21	0-1	3
	2-3	2.5
22	0	4
	1	3.5
	2-3	3

The gap dimensions recommended in the table must be adhered to in order to ensure that appliance doors do not collide with anything when they are opened, and to avoid causing damage to kitchen units.