

**Series 4, Built-in oven with added steam function, 60 x 60 cm, Black HUA736EA0T**



- Grâce au plateau de cuisson Air Fry Grill, vous pouvez cuisiner des aliments plus sains en utilisant moins de matières grasses.
- **3D Hotair:** even heat distribution for perfect results on up to three levels.
- **AutoPilot 10:** every dish is a perfect success thanks to 10 pre-set automatic programmes.
- **Cleaning Assistance:** less cleaning effort
- **Hotair Gentle:** saves energy while baking and roasting.

Gross weight: ..... 35.9 kg  
 Built-in / Free-standing: ..... Built-in  
 Integrated Cleaning system: ..... EcoClean Direct program, Hydrolytic  
 Required niche size for installation (HxWxD): .... 585-595 x 560-568 x 550 mm  
 Dimensions: ..... 595x594x548 mm  
 Dimensions of the packed product (HxWxD): ..... 680x655x680 mm  
 Control Panel Material: ..... Glass  
 Door Material: ..... Glass  
 Net weight: ..... 33.3 kg  
 Usable volume of cavity: ..... 76 l  
 Heating modes:: ..... Air fry, Full width grill, Hotair gentle, Hot Air, Conventional heat, Pizza setting, Bottom heat  
 Length electrical supply cord: ..... 120 cm  
 Pull-out system: ..... 1-level  
 Included accessories: 1 x combination grid, 1 x universal pan, 1 x air fry & grill tray, 1 x deep tray  
 Broil Element Wattages cavity 1: ..... 2700 W  
 Convection Element Wattages cavity 1: ..... 2200 W  
 Energy efficiency class: ..... A  
 Energy consumption per cycle conventional (2010/30/EC): ..... 0.98 kWh/cycle  
 Energy consumption per cycle forced air convection (2010/30/EC): 83 kWh/cycle  
 Energy efficiency index (2010/30/EC): ..... 95.4 %  
 Connection rating: ..... 3400 W  
 Fuse protection: ..... 16 A  
 Voltage: ..... 220-240 V  
 Frequency: ..... 50; 60 Hz  
 Plug type: ..... GARDY plug w/ earthing  
 Energy input: ..... Electric  
 Required cutout/niche size for installation (in): ..... x  
 Dimensions of the packed product: ..... 26.77 x 25.78 x 26.77  
 Net weight: ..... 73.000 lbs  
 Gross weight: ..... 79.000 lbs



## Series 4, Built-in oven with added steam function, 60 x 60 cm, Black HUA736EA0T

---

### Type of oven / heating system:

- Additional heating methods with steam: Steam 100%, Regeneration, fermentation, Defrost
- Temperature range 50 °C - 275 °C
- Cavity volume: 76 l

### Hook-in racks / rails

- Number of shelf levels: 5 PC
- 1 level telescopic shelf

### Design:

- Rotary Control
- Cavity inner surface: Stainless steel

### Cleaning:

- EcoLyse features: back panel, ceiling, side liners
- EcoClean

### Comfort:

- BM52T
- Electronic clock
- automatic start
- heating-up control
- cookControl, 10
- Bar handle
- Supporting systems: Programs
- Interior lighting
- Integral cooling fan

### Accessory:

- 1 x air fry & grill tray, 1 x combination grid, 1 x deep tray, 1 x universal pan

### Environment and Safety:

- Child lock
- Automatic switch off
- Start-/Stop button
- Door contact switch

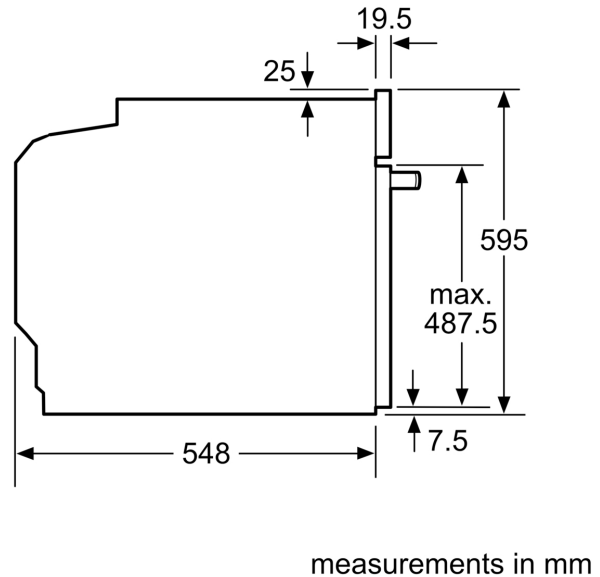
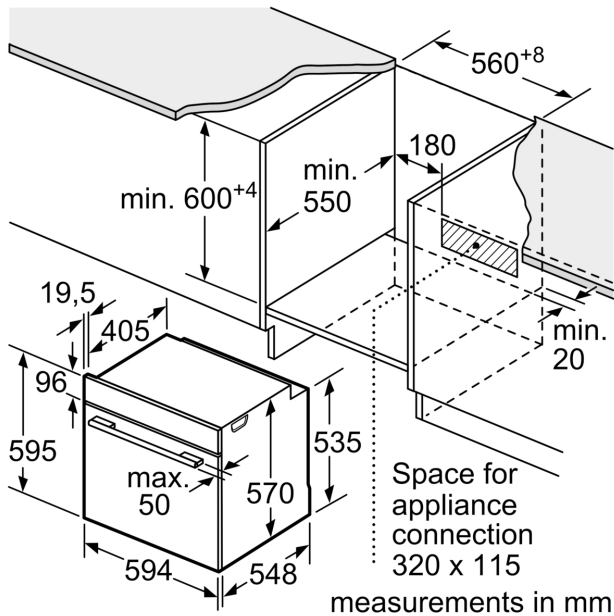
### Technical Info:

- Length of mains cable: 120 cm
- Nominal voltage: 220 - 240 V
- Total connected load electric: 3.4 KW
- Energy efficiency rating (acc. EU Nr. 65/2014): A
- Energy consumption per cycle in conventional mode: 0.98 kWh
- Energy consumption per cycle in fan-forced convection mode: 0.83 kWh
- Number of cavities: 1
- Heat source: electrical
- Cavity volume: 76 l

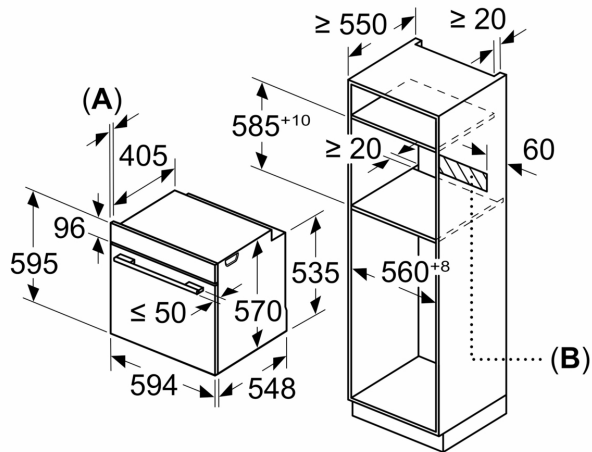
### Dimensions:

- Appliance dimension (H x W x D): 595 mm x 594 mm x 548 mm
- Niche dimension (hxwx): 560 mm - 568 mm x 450 mm - 455 mm x 550 mm
- "Please reference the built-in dimensions provided in the installation drawing"

**Series 4, Built-in oven with added steam function, 60 x 60 cm, Black HUA736EA0T**



Measurements in mm



**A:** 19.5 mm  
**B:** Space for appliance connection 320 x 115 mm

Installation with a hob.

