

**Series 6, Built-in oven, 60 x 60 cm,
Black
HBJ558YB0Q**



The built-in oven with 3D hot air: achieve perfect baking and roasting results on up to three levels simultaneously.

- **LCD display control, white:** easy-to-use thanks to direct access to additional functions.
- **EcoClean Direct:** almost no cleaning is necessary thanks to a special coating of the rear and side wall and the roof that automatically absorbs grime and regeneration program.
- **Flap door with SoftClose:** the oven door closes especially gently and quietly.
- **2-stage normal telescopic rails:** for safe, easy insertion and removal of baking trays.
- **Dampened Hinges Softly and Quietly Guide the QuietClose® Door Shut.**

1 x enamel baking tray, 1 x grill tray, 1 x combination grid, 1 x universal pan

HEZ317000	Pizza pan, enamelled
HEZ327000	Pizza stone
HEZ425000	Grill tray
HEZ429001	Air Fry & Grill tray, anthracite
HEZ431002	Baking tray, enamelled
HEZ438301	3 level telescopic shelf rails
HEZ625071	Grill tray, anthracite
HEZ915003	Glass roasting dish, 5,4 L

Gross weight: 38.0 kg
 Built-in / Free-standing: Built-in
 Integrated Cleaning system: EcoClean Direct program
 Min. required niche size for installation (HxWxD): 575-597 x 560-568 x 550 mm
 Dimensions: 595 x 594 x 548 mm
 Dimensions of the packed product (HxWxD): 657 x 646 x 672 mm
 Control Panel Material: Glass
 Door Material: Glass
 Net weight: 35.8 kg
 Usable volume of cavity: 66 l
 Heating modes: ...Defrost, Hotair gentle, Hot Air, Conventional heat, Pizza setting, Bottom heat, Hot air grilling, Full width variable grill
 Number of interior lights: 1
 Length electrical supply cord: 100.0 cm
 Interior Lights - cavity 1: 1
 Pull-out system: 2-level
 Included accessories: 1 x enamel baking tray, 1 x grill tray, 1 x combination grid, 1 x universal pan
 Broil Element Wattages cavity 1: 2800 W
 Energy efficiency class: A
 Energy consumption per cycle conventional (2010/30/EC): 0.98 kWh/cycle
 Energy consumption per cycle forced air convection (2010/30/EC): 0.79 kWh/cycle
 Energy efficiency index (2010/30/EC): 95.2 %
 Connection rating: 3300 W
 Fuse protection: 16 A
 Voltage: 220-240 V
 Frequency: 50; 60 Hz
 Plug type: GARDY plug w/ earthing
 Energy input: Electric
 Required cutout/niche size for installation (in): x
 Dimensions of the packed product: 25.86 x 25.43 x 26.45
 Net weight: 79.000 lbs
 Gross weight: 84.000 lbs
 Length electrical supply cord: 100.0 cm
 Net weight: 35.8 kg



Series 6, Built-in oven, 60 x 60 cm, Black HBJ558YB0Q

The built-in oven with 3D hot air: achieve perfect baking and roasting results on up to three levels simultaneously.

Type of oven / heating system:

- Oven with 8 heating methods: 3D Hot air plus, Conventional heat, Hot air grilling, Pizza setting, Bottom heat, Defrost, Hotair gentle, Full width variable grill
- Temperature range 50 °C - 275 °C
- Cavity volume: 67 l

Hook-in racks / rails

- 2 level telescopic shelf rails

Design:

- Rotary swivel

Cleaning:

- Ecolyse features: back panel, ceiling, side liners
- EcoClean
- Full glass inner door

Comfort:

- LCD display control (white)
- Electronic clock
- Bottom, Oven door with SoftClose, Soft opening
- Rapid heating-up
- Interior lighting
- Integral cooling fan
- Bar handle

Accessory:

- 1 x combination grid, 1 x enamel baking tray, 1 x grill tray, 1 x universal pan

Environment and Safety:

- Child lock
- Automatic switch off Start-/Stop button Door contact switch
- Maximum window temperature 40° C

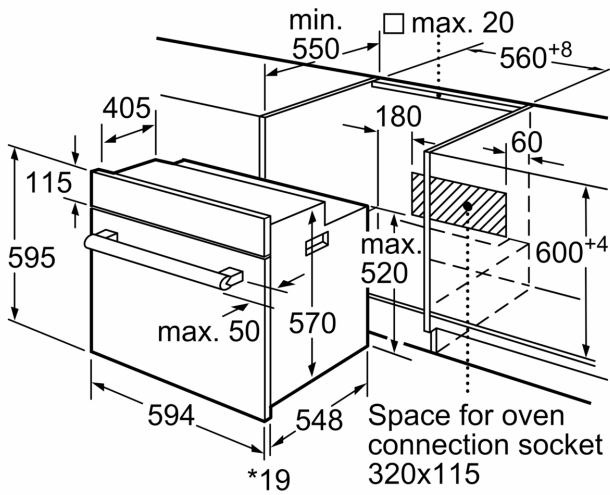
Technical Info:

- Length of mains cable: 100 cm
- Nominal voltage: 220 - 240 V
- Total connected load electric: 3.3 KW

Dimensions:

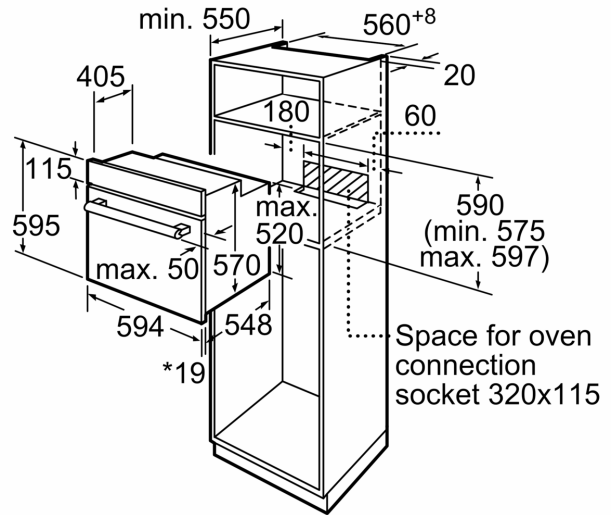
- Appliance dimension (H x W x D): 595 mm x 594 mm x 548 mm
- Niche dimension (hxwx): 560 mm - 568 mm x 450 mm - 455 mm x 550 mm
- "Please reference the built-in dimensions provided in the installation drawing"

**Series 6, Built-in oven, 60 x 60 cm,
Black
HBJ558YB0Q**



* 20 mm for metal fascias

measurements in mm



* 20 mm for metal fascias

measurements in mm



* 20 mm for metal fascias

Dimensions in mm