

**Series 8, Built-in oven, 60 x 60 cm,
Stainless steel
HBG675BS1**



- **4D Hot Air:** even heat distribution for perfect results – on any level.
- **AutoPilot 10:** every dish is a perfect success thanks to 10 pre-set automatic programmes.
- **TFT Touch Display:** easy-to-use thanks to the Control Ring with clear text and symbols.
- **Pyrolytic self-cleaning:** no cleaning effort thanks to automatic self-cleaning.
- **Flap door with SoftOpen and SoftClose:** the oven door opens and closes especially gently and quietly.

1 x enamel baking tray, 1 x combination grid, 1 x universal pan

HEZ327000 Pizza stone, HEZ530000 Half tray, HEZ531010 Baking tray, non-stick ceramic coated, HEZ532010 Universal pan, non-stick ceramic coated, HEZ617000 Pizza pan, enamelled, HEZ625071 Grill tray, anthracite, HEZ631070 Baking tray, enamelled, HEZ632070 Multipurpose pan, enamelled, HEZ633001 Lid for professional pan, enamelled, HEZ633070 Professional pan, enamelled, HEZ634000 Baking and roasting grid (standard), HEZ635000 Barbecue-Set, HEZ636000 Glass pan, HEZ638170 1 level telescopic rail, full ext, pyro, HEZ638270 2 level telescopic rails, full ext,pyro, HEZ638370 3 level telescopic rails, full ext,pyro, HEZ660050 Cover Strip, HEZ664000 Baking and roasting grid (steam), HEZ915003 Glass roasting dish, 5,4 L, HEZG0AS00 Connecting cable 3m

Gross weight: 40.3 kg
 Built-in / Free-standing: Built-in
 Integrated Cleaning system: Pyrolytic+Hydrolytic
 Min. required niche size for installation (HxWxD): 585-595 x 560-568 x 550 mm
 Dimensions: 595 x 594 x 548 mm
 Dimensions of the packed product (HxWxD): 670 x 670 x 680 mm
 Control Panel Material: Stainless steel
 Door Material: Glass
 Net weight: 37.9 kg
 Usable volume of cavity: 71 l
 Heating modes:: 4D hotair, Defrost, Full width grill, Hot Air-Eco, Half width grill, Conventional heat, Conventional heat ECO, Pizza setting, low temperature cooking, Bottom heat, Hot air grilling, pre-heating, warming
 Number of interior lights: 1
 Length electrical supply cord: 120.0 cm
 Interior Lights - cavity 1: 1
 Pull-out system: Accessory
 Included accessories: 1 x enamel baking tray, 1 x combination grid, 1 x universal pan
 Broil Element Wattages cavity 1:2800 W
 Convection Element Wattages cavity 1:2200 W
 Energy efficiency class: A+
 Energy consumption per cycle conventional (2010/30/EC):0.87 kWh/cycle
 Energy consumption per cycle forced air convection (2010/30/EC):69 kWh/cycle
 Energy efficiency index (2010/30/EC):81.2 %
 Connection rating: 3600 W
 Fuse protection:16 A
 Voltage: 220-240 V
 Frequency: 60; 50 Hz
 Plug type: GARDY plug w/ earthing
 Alternative colors available: HBG675BB1, HBG675BW1
 Energy input: Electric
 Required cutout/niche size for installation (in):x
 Dimensions of the packed product: 26.37 x 26.37 x 26.77
 Net weight:84.000 lbs
 Gross weight: 89.000 lbs
 Length electrical supply cord: 120.0 cm
 Net weight: 37.9 kg



Series 8, Built-in oven, 60 x 60 cm, Stainless steel HBG675BS1

Type of oven / heating system:

- Oven with 13 heating methods:
- 4D hot air, Hotair Eco., Conventional heat, Conventional heat ECO, Hot air grilling, Full width grill, Half width grill, Pizza setting, Bottom heat, Low temperature cooking, Defrost, Preheating, Hold warm
- Electronic clock
- Cavity volume: 71 l
- Temperature range 30 °C - 300 °C

Design:

- Rotary swivel
- Full glass inner door
- Bar handle

Cleaning:

- Pyrolytic self-cleaning function

Comfort:

- Temperature proposal
- Actual temperature display heating-up control Sabbath setting
- Supporting systems: Programs
- Rapid heating-up
- Interior lighting
- Integral cooling fan
- cookControl, 10
- Bottom, Oven door with SoftClose, Soft opening

Hook-in racks / rails

- Telescopic shelf rails as optional accessory, pyrolytic proof

Accessory:

- 1 x universal pan, 1 x combination grid, 1 x enamel baking tray
- Number of shelf levels: 5 PC

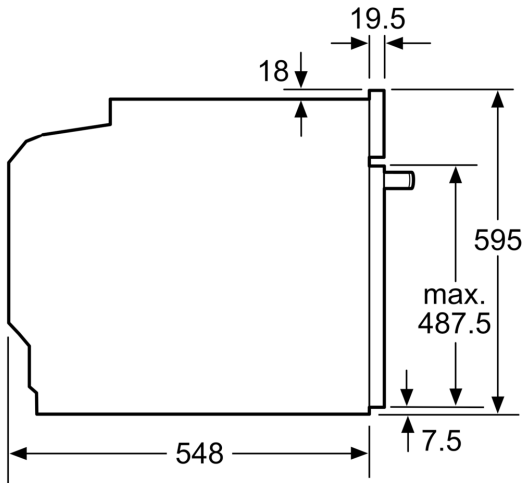
Environment and Safety:

- Child lock
- Automatic switch off Start-/Stop button Door contact switch
- Maximum window temperature 30° C

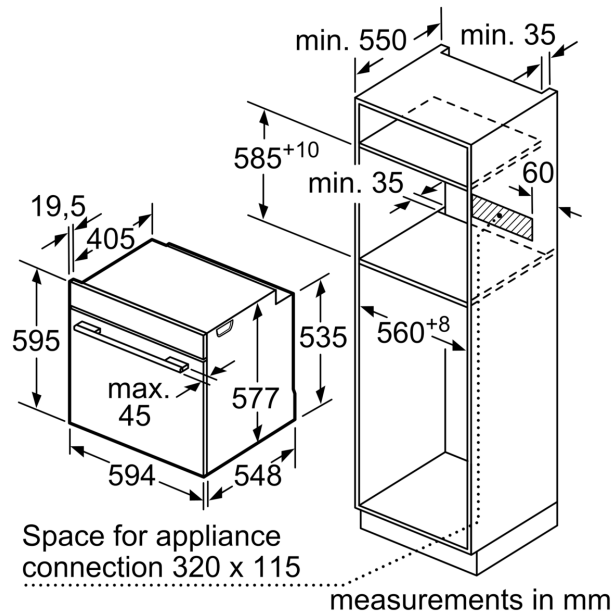
Technical Info:

- Nominal voltage: 220 - 240 V
- Length of mains cable: 120 cm
- Total connected load electric: 3.6 KW
- Appliance dimension (H x W x D): 595 mm x 594 mm x 548 mm
- Niche dimension (hxwxh): 560 mm - 568 mm x 450 mm - 455 mm x 550 mm
- "Please reference the built-in dimensions provided in the installation drawing"

**Series 8, Built-in oven, 60 x 60 cm,
Stainless steel
HBG675BS1**



measurements in mm

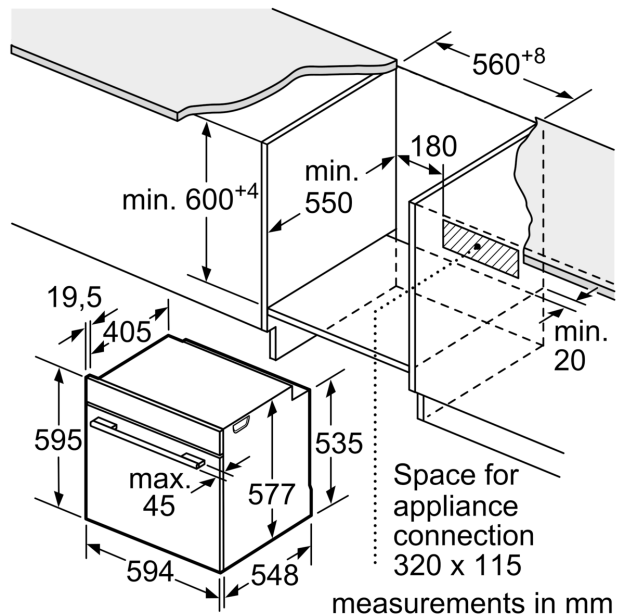


Space for appliance connection 320 x 115

measurements in mm

If the appliance will be installed underneath a hob, the following worktop thicknesses (including substructure if necessary) must be taken into account.

Hob type	min. worktop thickness	
	fitted	flush
Induction hob	37 mm	38 mm
Full surface Induction hob	47 mm	48 mm
Gas hob	30 mm	38 mm
Electric hob	27 mm	30 mm



Space for appliance connection 320 x 115

measurements in mm