

**Series 4, wall-mounted cooker hood,
60 cm, Stainless steel
DWB66DM50**



DWZ0DX0A0 Standard odor filter (replacement), DWZ0DX0U0 Standard recirculation kit, DWZ0XX0J0 Long Life recirculation kit, DHZ1225 Chimney extension 1000 mm, DHZ1235 Chimney extension 1500 mm, DHZ6550 Brushed steel back panel, DHZ6551 Brushed steel back panel, DWZ1DX1B4 Clean Air Standard odor filter (repl.), DWZ1DX114 Clean Air Standard recirculation kit, DWZ1DX116 Clean Air Plus recirculation kit, DWZ1FX5C6 Clean Air Plus recirc. kit external, DWZ1FX5D1 Long Life recirculation kit external, DZZ0XX0P0 Long Life odor filter (replacement), DZZ1XX1B6 Clean Air Plus odor filter (replacement), HEZG9AS00S Adapter

**Box-design hood: performance and
matching kitchen design bundled in one
hood.**

- **Especially silent:** maximal extractor performance with minimal noise
- **TouchSelect control:** quick touch-control selection of desired settings and light.
- **Intensive speed setting:** removes strong kitchen odours especially quickly and effectively.

Typology:Wall-mounted
 Length electrical supply cord: 130.0 cm
 Height of the chimney: 583-912/583-1022 mm
 Height of product, without chimney: 53 mm
 Net weight: 11.4 kg
 Type of control:Electronic
 Number of speed settings: 3-stages + intensive setting
 Max. air extraction: 368 m³/h
 Boost position output recirculating: 441 m³/h
 Max. air recirculation: 337 m³/h
 Boost position air extraction: 605 m³/h
 Number of lights: 2
 Noise level: 60 dB(A) re 1 pW
 Diameter of air outlet: 120 / 150 mm
 Grease filter material:Washable aluminium
 Odour filter: No
 Optional accessories: DWZ0DX0A0, DWZ0DX0U0, DWZ0XX0J0, DHZ1225, DHZ1235, DHZ6550, DHZ6551, DWZ1DX1B4, DWZ1DX114, DWZ1DX116, DWZ1FX5C6, DWZ1FX5D1, DZZ0XX0P0, DZZ1XX1B6, HEZG9AS00S
 Type of lamps used: LED
 Grease filter type:Kassette
 Connection rating: 220 W
 Fuse protection: 10 A
 Voltage: 220-240 V
 Frequency: 50; 60 Hz
 Plug type: Gardy plug w/ earthing
 Installation typology:Wall-mounted
 Material body: Stainless steel
 Plug type: Gardy plug w/ earthing
 Dimensions of the product, with chimney (if exists) (in):x x
 Dimensions of the packed product: 19.29 x 25.59 x 28.74
 Net weight: 25.000 lbs
 Gross weight: 35.000 lbs
 Motor location: Integrated motor in hood chimney
 No-return airflow flap: Yes
 Length electrical supply cord: 130.0 cm
 Dimensions of the product, with chimney (if exists): .635-1075 MM x 600.0 x 500.0 mm
 Dimensions of the packed product (HxWxD): 490 x 650 x 730 mm
 Net weight: 11.4 kg
 Gross weight: 16.0 kg



Series 4, wall-mounted cooker hood, 60 cm, Stainless steel DWB66DM50

Box-design hood: performance and matching kitchen design bundled in one hood.

Design:

- 60 cm Chimney hood
- Appliance colour: brushed steel
- Wall mounted hood
- TouchControl with Electronic display
- 2 capture areas: front side and bottom side

Environment and safety:

- Energy Efficiency Class: B*
- Average Energy Consumption: 48.1 kWh/year*
- Blower Efficiency Class: A*
- Lighting Efficiency Class: A*
- Grease Filtering Efficiency Class: B*

Comfort:

- TouchControl for extractor speeds and light
- Electronic controls
- Electronic controls via TouchControl with Electronic display
- TouchControl (3 speeds plus intensive setting) with Electronic display
- Metal grease filter, dishwasher safe

Operating and power:

- Automatic revert setting, 6 minutes
- Suitable for ducted or re-circulated extraction
- with one-way flap
- For recirculated extraction recirculating kit or CleanAir recirculating kit (accessory) needed
- Max. extraction rate: 605 m³/h
- Extraction rate according to EN 61591 ø 15 cm:
- max. Normal use 368 m³/h
- Intensive 605 m³/h
- Extraction rate exhaust air according to EN 61591 max. 368 m³/h
- Maximum extraction rate exhaust air 368 m³/h according to EN 61591
- Extraction rate exhaust air according to EN 61591:
- max. normal use 368 m³/h, intensive 605 m³/h
- Noise level according to EN 60704-3 und EN 60704-2-13 at max. normal use exhaust air: 60 dB(A) re 1 pW (47 dB(A) re 20 µPa sound pressure)
- Noise level according to EN 60704-3 und EN 60704-2-13 exhaust air:
- Max. normal use: 60 dB(A) re 1 pW (47 dB(A) re 20 µPa sound pressure)
- Intensive: 69 dB(A) re 1 pW (56 dB(A) re 20 µPa sound pressure)
- Dimensions recirculating with CleanAir module (HxWxD):
- 703 x 600 x 500mm - mounting with outer chimney
- 833-1163 x 600 x 500 mm - mounting with telescopic chimney
- Dimensions recirculating with CleanAir module (HxWxD);

- 703 x 600 x 500mm - mounting with outer chimney
- 833-1163 x 600 x 500 mm - mounting with telescopic chimney
- Dimensions recirculating with CleanAir module (HxWxD):
- 703 x 600 x 500mm - mounting with outer chimney
- 833-1163 x 600 x 500 mm - mounting with telescopic chimney

Power:

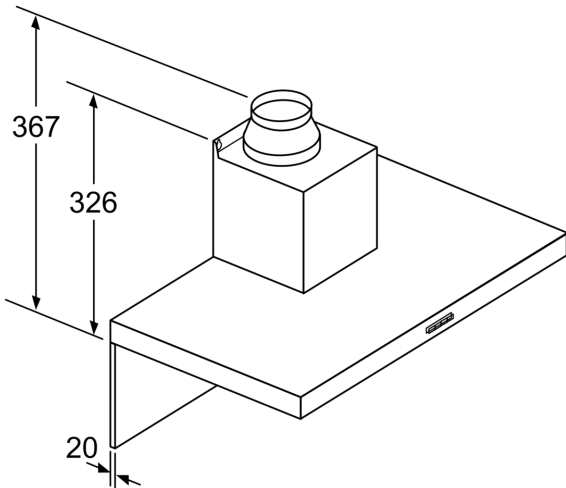
- Power rating: 220 W
- Twin channel high performance fan motor
- Capacitor energy efficient
- Light Intensity: 242 lux

Technical information:

- 2 x 1,5W LED
- Colour Temperature: 3500 K
- Noise min./max. Normal Level: 48/60 dB*
- Voltage: 220 - 240 V
- Electrical cable length 1.3 m
- Dimensions (HxWxD): 635 x 600 x 500 mm
- Dimensions exhaust air (HxWxD): 635-965 MM x 600 x 500 mm
- Dimensions recirculating (HxWxD): 635-1075 MM x 600 x 500 mm
- Diameter pipe ø 150 mm (ø 120 mm enclosed)

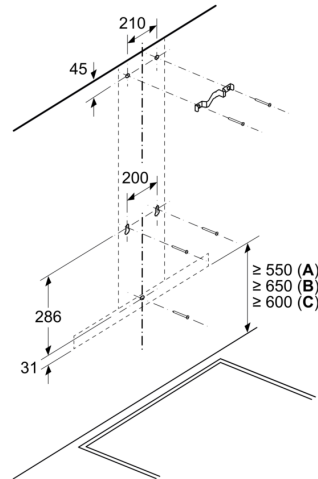
* In accordance with the EU-Regulation No 65/2014

**Series 4, wall-mounted cooker hood,
60 cm, Stainless steel
DWB66DM50**



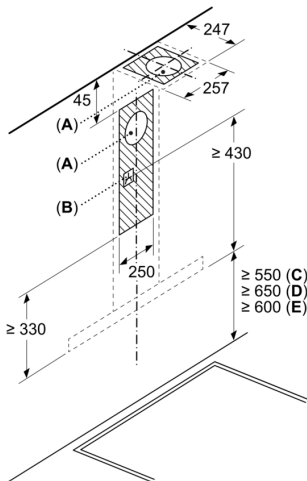
If a back panel is used,
the design of the appliance
must be considered. measurements in mm

Measurements in mm

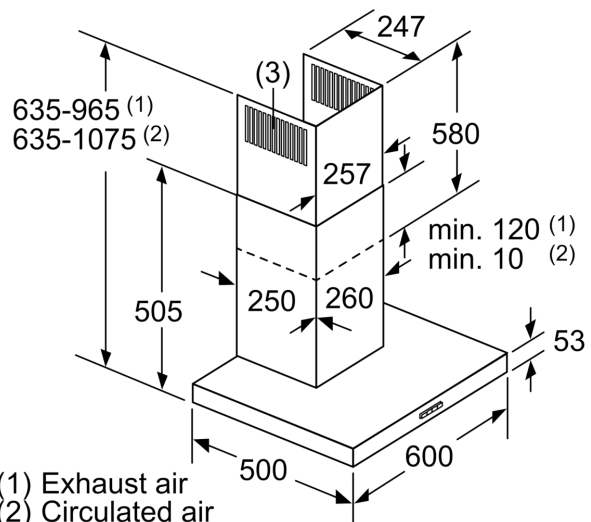


- A: Electric
- B: Gas - from upper edge of pan support
- C: Electric - for Australia and New Zealand

Measurements in mm



- A: Exhaust air outlet
- B: Socket
- C: Electric
- D: Gas - from upper edge of pan support
- E: Electric - for Australia and New Zealand



- (1) Exhaust air
 - (2) Circulated air
 - (3) Air outlet – slots for exhaust air to be mounted facing down
- measurements in mm