

**Series 2, wall-mounted cooker hood,  
60 cm, Stainless steel  
DWB64BC52**



DZZ1XX1B6 Clean Air Plus odor filter (replacement), DWZ1FX5D1 Long Life recirculation kit external, DZZ0XX0P0 Long Life odor filter (replacement), DHZ1225 Chimney extension 1000 mm, DHZ1235 Chimney extension 1500 mm, DHZ6550 Brushed steel back panel, DHZ6551 Brushed steel back panel, DWZ0DX0A0 Standard odor filter (replacement), DWZ0DX0U0 Standard recirculation kit, DWZ0XX0J0 Long Life recirculation kit, DWZ1DX1B4 Clean Air Standard odor filter (repl.), DWZ1DX1I4 Clean Air Standard recirculation kit, DWZ1DX1I6 Clean Air Plus recirculation kit, DWZ1FX5C6 Clean Air Plus recirc. kit external

**Box-design hood: performance and  
matching kitchen design bundled in one  
hood.**

- **Silent:** maximal extractor performance with little noise
- **Metal Grease Filter:** cleans the air, captures grease, easy monthly clean-up.

Typology: .....Wall-mounted  
 Length electrical supply cord: ..... 130.0 cm  
 Height of the chimney: ..... 583-912/583-1022 mm  
 Height of product, without chimney: ..... 53 mm  
 Net weight: ..... 11.1 kg  
 Type of control: .....mechanical  
 Number of speed settings: .....3  
 Max. air extraction: ..... 365 m<sup>3</sup>/h  
 Max. air recirculation: ..... 240 m<sup>3</sup>/h  
 Number of lights: ..... 2  
 Noise level: .....63 dB(A) re 1 pW  
 Diameter of air outlet: ..... 120 / 150 mm  
 Grease filter material: ..... Washable stainless steel  
 Odour filter: ..... No  
 Optional accessories: ..... DZZ1XX1B6, DWZ1FX5D1, DZZ0XX0P0, DHZ1225, DHZ1235, DHZ6550, DHZ6551, DWZ0DX0A0, DWZ0DX0U0, DWZ0XX0J0, DWZ1DX1B4, DWZ1DX1I4, DWZ1DX1I6, DWZ1FX5C6  
 Type of lamps used: ..... LED  
 Grease filter type: .....Kassette  
 Connection rating: ..... 100 W  
 Fuse protection: .....10 A  
 Voltage: ..... 220-240 V  
 Frequency: ..... 50; 60 Hz  
 Plug type: ..... Gardy plug w/ earthing  
 Installation typology: .....Wall-mounted  
 Material body: ..... Stainless steel  
 Plug type: ..... Gardy plug w/ earthing  
 Dimensions of the product, with chimney (if exists) (in): .....x x  
 Dimensions of the packed product: ..... 19.29 x 25.59 x 28.74  
 Net weight: .....24.000 lbs  
 Gross weight: ..... 35.000 lbs  
 Motor location: .....Integrated motor in hood chimney  
 No-return airflow flap: ..... No  
 Length electrical supply cord: ..... 130.0 cm  
 Dimensions of the product, with chimney (if exists): .635-1075 MM x 600.0 x 500.0 mm  
 Dimensions of the packed product (HxWxD): ..... 490 x 650 x 730 mm  
 Net weight: ..... 11.1 kg  
 Gross weight: ..... 15.7 kg



## Series 2, wall-mounted cooker hood, 60 cm, Stainless steel DWB64BC52

### Box-design hood: performance and matching kitchen design bundled in one hood.

- Max. normal use: 66 dB(A) re 1 pW (53 dB(A) re 20 µPa sound pressure)
- Metal grease filter, dishwasher safe
- Electrical cable length 1.3 m

\* In accordance with the EU-Regulation No 65/2014

#### Design:

- Wall mounted hood
- Box design
- Appliance colour: brushed steel

#### Environment and safety:

- Energy Efficiency Class: D\*
- Average Energy Consumption: 53.1 kWh/year\*
- Blower Efficiency Class: E\*
- Lighting Efficiency Class: A\*
- Grease Filtering Efficiency Class: B\*
- Noise min./max. Normal Level: 48/63 dB\*

#### Comfort:

- push buttons for extractor speeds and light

#### Power:

- Power rating: 100 W
- 3 speeds via push buttons
- 2 x 1,5W LED
- Light Intensity: 99 lux
- Colour Temperature: 3500 K

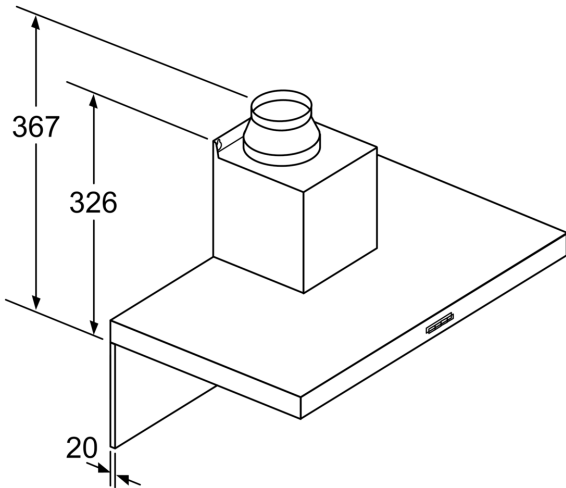
#### Measures:

- Diameter pipe Ø 150 mm (Ø 120 mm enclosed)
- Dimensions exhaust air (HxWxD): 635-965 MM x 600 x 500 mm
- Dimensions recirculating (HxWxD): 635-1075 MM x 600 x 500 mm
- Dimensions recirculating with CleanAir module (HxWxD):
- 703 x 600 x 500mm - mounting with outer chimney
- 833-1163 x 600 x 500 mm - mounting with telescopic chimney
- Dimensions recirculating with CleanAir module (HxWxD);
- 703 x 600 x 500mm - mounting with outer chimney
- 833-1163 x 600 x 500 mm - mounting with telescopic chimney
- Dimensions recirculating with CleanAir module (HxWxD):
- 703 x 600 x 500mm - mounting with outer chimney
- 833-1163 x 600 x 500 mm - mounting with telescopic chimney

#### Technical information:

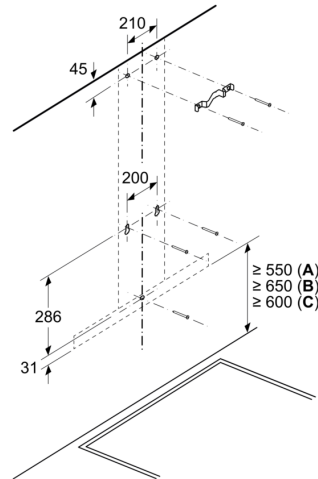
- Twin channel high performance fan motor
- For recirculated extraction recirculating kit or CleanAir recirculating kit (accessory) needed
- Extraction rate exhaust air according to EN 61591 max. 365 m<sup>3</sup>/h
- Maximum extraction rate exhaust air 365 m<sup>3</sup>/h according to EN 61591
- Noise level according to EN 60704-3 und EN 60704-2-13 at max. normal use exhaust air: 63 dB(A) re 1 pW (50 dB(A) re 20 µPa sound pressure)
- Extraction rate in recirculation mode:
- Max. normal use: 196 m<sup>3</sup>/h
- Noise level in recirculation mode:

**Series 2, wall-mounted cooker hood,  
60 cm, Stainless steel  
DWB64BC52**



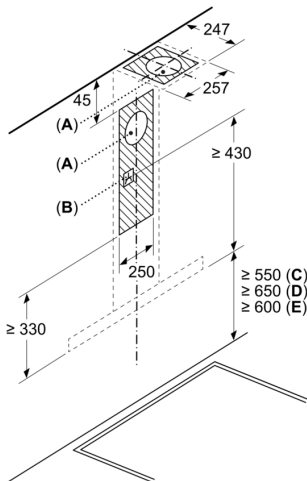
If a back panel is used,  
the design of the appliance  
must be considered.      measurements in mm

Measurements in mm

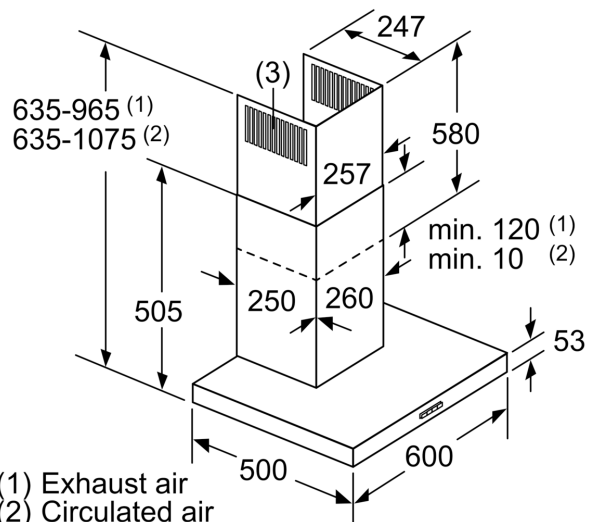


- A: Electric
- B: Gas - from upper edge of pan support
- C: Electric - for Australia and New Zealand

Measurements in mm



- A: Exhaust air outlet
- B: Socket
- C: Electric
- D: Gas - from upper edge of pan support
- E: Electric - for Australia and New Zealand



- (1) Exhaust air
  - (2) Circulated air
  - (3) Air outlet – slots for exhaust air to be mounted facing down
- measurements in mm