

Serie | 8, Built-in compact oven with microwave function, 60 x 45 cm, Black CMG636BB1



Included accessories

1 x combination grid
1 x universal pan

- **Microwave function:** for quick warming up or for fast cooking in combination with hot air.
- **TFT touchscreen control:** easy-to-use thanks to the control ring with full text and images.
- **EcoClean Direct:** almost no cleaning is necessary thanks to a special coating of the rear wall that automatically absorbs grime.
- **Flap door with SoftOpen and SoftClose:** the oven door opens and closes especially gently and quietly.
- Fast pre-heating

Technical data

Type of control : Electronic
 Color / Material Front : Black
 Cavity dimensions : 237.0 x 480 x 392.0 mm
 Length electrical supply cord : 150 cm
 Net weight : 35.3 kg
 Gross weight : 37.6 kg
 Approval certificates : CE, VDE : 900 W
 Number of Power Levels : 5
 Turntable : No
 Cavity material : Enamelled steel
 Door opening : Handle
 Clock : Yes
 Included accessories : 1 x combination grid, 1 x universal pan
 Main colour of product : Black
 : 455 mm
 : 594 mm
 : 548 mm
 : 900 W
 : 3600 W
 Fuse protection : 16 A
 Voltage : 220-240 V
 Frequency : 60; 50 Hz
 Plug type : GARDY plug w/ earthing
 Color / Material Front : Black
 Alternative colors available : CMG636BW1, CMG636BS1
 Approval certificates : CE, VDE
 Appliance Dimensions (h x w x d) (in) : x x
 Dimensions of the packed product : 20.86 x 26.37 x 26.77
 Net weight : 78.000 lbs
 Gross weight : 83.000 lbs



Serie | 8, Built-in compact oven with microwave function, 60 x 45 cm, Black CMG636BB1

Type of oven / heating system:

- Max. Power: 900 W; 5 Microwave power settings (90 W, 180 W, 360 W, 600 W, 900 W) with Inverter (MW)
- Compact oven with microwave with 12 heating methods: 4D hot air, Hotair Eco., Conventional heat, Conventional heat ECO, Hot air grilling, Full width grill, Half width grill, Pizza setting, Bottom heat, Low temperature cooking, Preheating, Hold warm
- Additional heating methods with microwave: Microwave, Combi microwave variable
- Cavity volume: 45 l
- Temperature range 30 °C - 300 °C

Design:

- Rotary swivel
- Bar handle

Cleaning:

- Ecolyse features: back panel, ceiling, side liners

Comfort:

- Intelligent inverter technology: maximum output power will be regulated to 600 W when used in longer operation
- Supporting systems: Programs
- Electronic clock
- Rapid heating-up
- Interior lighting
- Temperature proposal
Actual temperature display
heating-up control
Sabbath setting

Hook-in racks / rails

- Number of shelf levels: 3 PC

Accessory:

- 1 x universal pan, 1 x combination grid

Environment and Safety:

- Maximum window temperature 40° C
- Integral cooling fan
- Child lock
Automatic switch off
Start-/Stop button
Door contact switch

Technical Info:

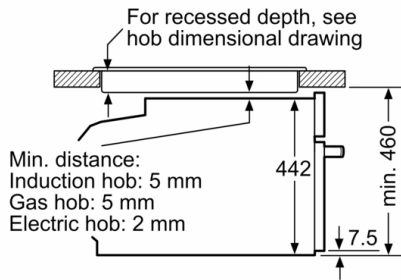
- Length of mains cable: 150 cm
- Nominal voltage: 220 - 240 V
- Total connected load electric: 3.6 KW

Dimensions:

- Appliance dimension (H x W x D): 455 mm x 594 mm x 548 mm
- Niche dimension (hxwxh): 560 mm - 568 mm x 450 mm - 455 mm x 550 mm
- "Please reference the built-in dimensions provided in the installation drawing"

Serie | 8, Built-in compact oven with microwave function, 60 x 45 cm, Black CMG636BB1

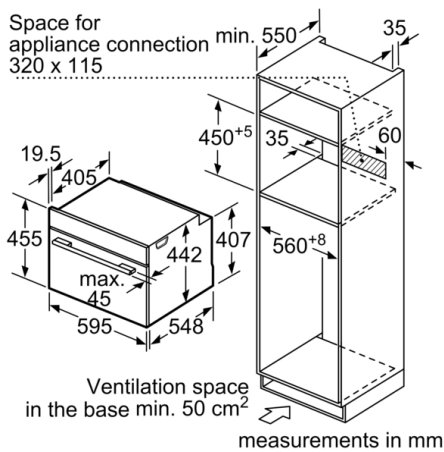
Installation with a hob.



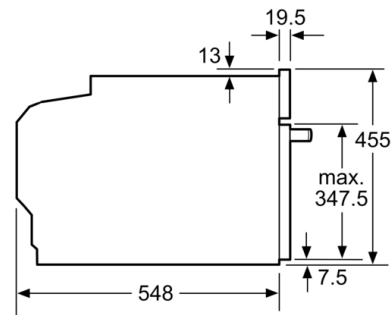
measurements in mm

If the compact appliance will be installed underneath a hob, the following worktop thicknesses (including substructure if necessary) must be taken into account.

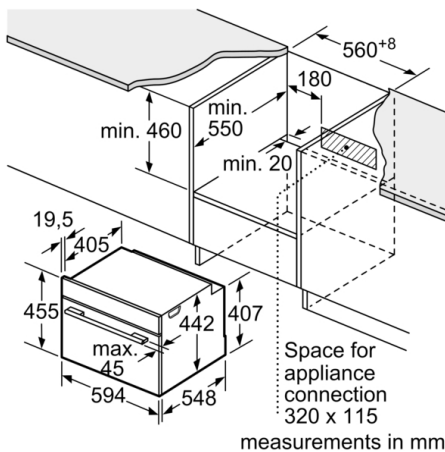
Hob type	min. worktop thickness	
	fitted	flush
Induction hob	42 mm	43 mm
Full surface Induction hob	52 mm	53 mm
Gas hob	32 mm	43 mm
Electric hob	32 mm	35 mm



measurements in mm



measurements in mm



measurements in mm