

Series 8, Built-In Microwave, Black BFL634GB1



HEZ6UCC0 Cookbook
HEZG9AS00S Adapter

- **AutoPilot 7:** every dish is a perfect success thanks to 7 pre-set automatic programmes.
- **TFT Touch Display:** easy-to-use thanks to the Control Ring with clear text and symbols.

Additional function: Microwave only
 Type of control: Electronic
 Dimensions: 382 x 594 x 318 mm
 Cavity dimensions: 220 x 350 x 270 mm
 Length electrical supply cord: 150.0 cm
 Net weight: 16.7 kg
 Gross weight: 18.9 kg
 Max. microwave power level: 900 W
 Number of Power Levels: 5
 Turntable: No
 Cavity material: Stainless steel
 Door opening: Button
 Clock: Yes
 Height of the appliance: 382 mm
 Width of the appliance: 594 mm
 Depth of the product: 318 mm
 Max. microwave power level: 900 W
 Connection rating: 1220 W
 Fuse protection: 10 A
 Voltage: 220-240 V
 Frequency: 50; 60 Hz
 Plug type: Gardy plug w/ earthing
 Required cutout/niche size for installation (in): x
 Dimensions of the packed product: 18.50 x 18.11 x 26.37
 Net weight: 37.000 lbs
 Gross weight: 42.000 lbs



Series 8, Built-In Microwave, Black BFL634GB1

Microwave and heating mode:

- Max. Power: 900 W; 5 Microwave power settings: 90 W, 180 W, 360 W, 600 W, 900 W
- Cavity volume: 21 l
- Child lock
- Automatic switch off Start-/Stop button Door contact switch

Design:

- stainless steel cavity with glass bottom

Comfort:

- Intelligent inverter technology: maximum output power will be regulated to 600 W when used in longer operation
- Rotary swivel, Touch control
- Touch key operation
- electronic clock
- User-friendly electronics: extremely
- easy and comfortable operation
- cookControl, 7
- Bottom, Oven door with SoftClose, Soft opening
- 3 defrost and 4 cooking programmes in microwave function
- Interior lighting

Environment and Safety:

- Integral cooling fan

Technical Info:

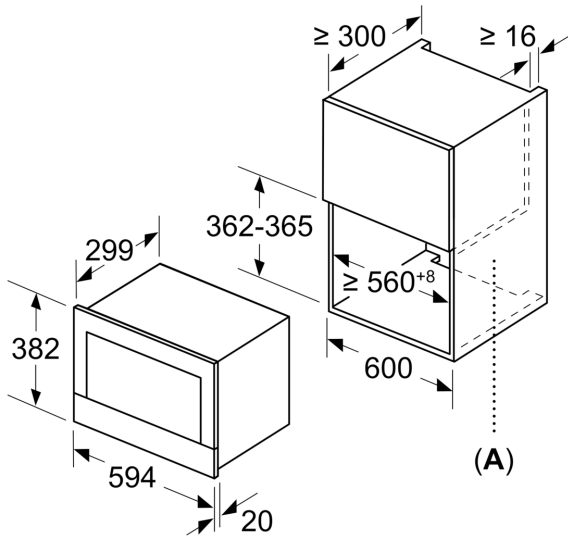
- Length of mains cable: 150 cm
- Nominal voltage: 220 - 240 V
- Total connected load electric: 1.22 KW

Dimensions:

- Appliance dimension (H x W x D): 382 mm x 594 mm x 318 mm
- Niche dimension (hxwxd): 560 mm - 568 mm x 450 mm - 455 mm x 550 mm
- Tall housing, Can be built in a 60 cm wall cupboard (at least 30cm deep)
- "Please reference the built-in dimensions provided in the installation drawing"

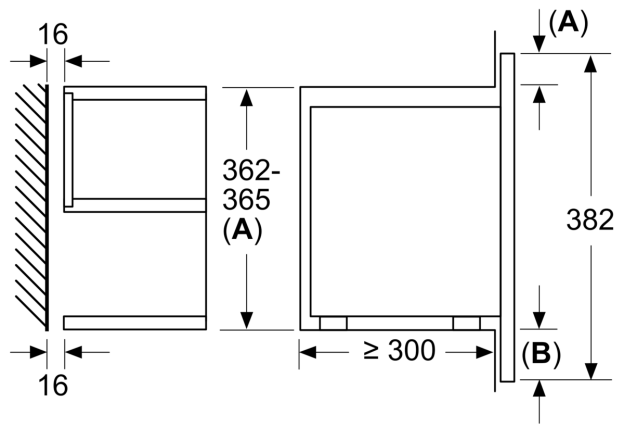
**Series 8, Built-In Microwave, Black
BFL634GB1**

measurements in mm

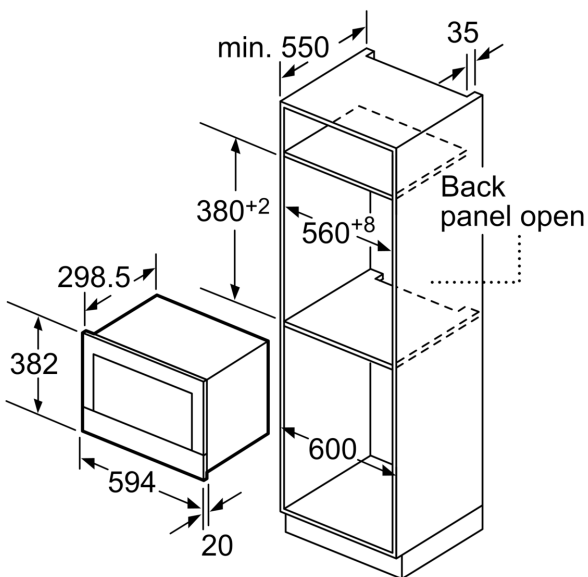


A: Back panel open

measurements in mm



A: Overhang at top:
 Recess 362: 6 mm
 Recess 365: 3 mm
B: Overhang at bottom: 14 mm



measurements in mm