

**Serie | 8, Built-In Microwave, 60 x 38 cm,  
BEL634GS1**



**Included accessories**

- 1 x grid
- 1 x Glass tray

**The built-in microwave for the 38 cm niche:  
use it for thawing, heating and perfect  
preparation of foods.**

- **AutoPilot 10:** every dish is a perfect success thanks to 10 pre-set automatic programmes.
- **TFT display control:** easy-to-use thanks to the control ring with full text and symbols.

**Technical data**

Type of control : Electronic  
Cavity dimensions : 220 x 350 x 270 mm  
Length electrical supply cord : 150 cm  
Net weight : 18.657 kg  
Gross weight : 20.9 kg  
Approval certificates : CE, Eurasian, Morocco, VDE : 900 W  
Number of Power Levels : 5  
Turntable : No  
Cavity material : Stainless steel  
Door opening : Button  
Clock : Yes  
Included accessories : 1 x grid, 1 x Glass tray : 382 mm : 594 mm : 318 mm : 900 W : 1990 W  
Fuse protection : 10 A  
Voltage : 220-240 V  
Frequency : 50; 60 Hz  
Plug type : GARDY plug w/ earthing  
Approval certificates : CE, Eurasian, Morocco, VDE  
Appliance Dimensions (h x w x d) (in) : x x  
Dimensions of the packed product : 18.50 x 18.11 x 26.37  
Net weight : 41.000 lbs  
Gross weight : 46.000 lbs



4 242002 813608

## Serie | 8, Built-In Microwave, 60 x 38 cm, BEL634GS1

**The built-in microwave for the 38 cm niche: use it for thawing, heating and perfect preparation of foods.**

### Dimensions:

- Appliance dimension (H x W x D): 382 mm x 594 mm x 318 mm
- Niche dimension (hxwx): 560 mm - 568 mm x 450 mm - 455 mm x 550 mm
- "Please reference the built-in dimensions provided in the installation drawing"

### Microwave and heating mode:

- Max. Power: 900 W; 5 Microwave power settings: 90 W, 180 W, 360 W, 600 W, 900 W
- Cavity volume: 21 l

### Design:

- stainless steel cavity with glass bottom

### Comfort:

- Microwave and grill for separate use
- Intelligent inverter technology: maximum output power will be regulated to 600 W when used in longer operation
- Rotary swivel, Touch control
- Touch key operation
- electronic clock
- User-friendly electronics: extremely easy and comfortable operation
- cookControl, 10
- Grill and microwave power levels 90 W, 180 W, 360 W combinable
- Child lock  
Automatic switch off  
Start-/Stop button  
Door contact switch
- Bottom, Oven door with SoftClose, Soft opening
- Interior lighting

### Accessory:

- 1 x Glass tray, 1 x grid

### Environment and Safety:

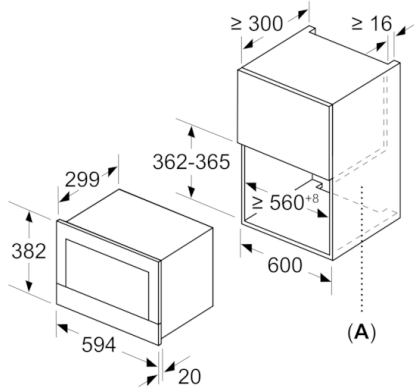
- Integral cooling fan

### Technical Info:

- Length of mains cable: 150 cm
- Nominal voltage: 220 - 240 V
- Total connected load electric: 1.99 KW
- Tall housing, Can be built in a 60 cm wall cupboard (at least 30cm deep)

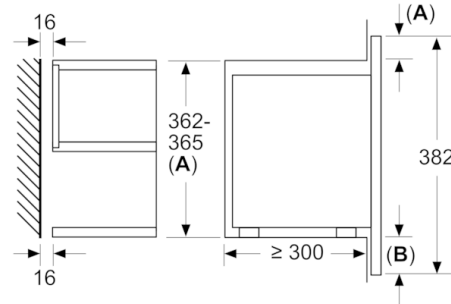
## Serie | 8, Built-In Microwave, 60 x 38 cm, BEL634GS1

measurements in mm

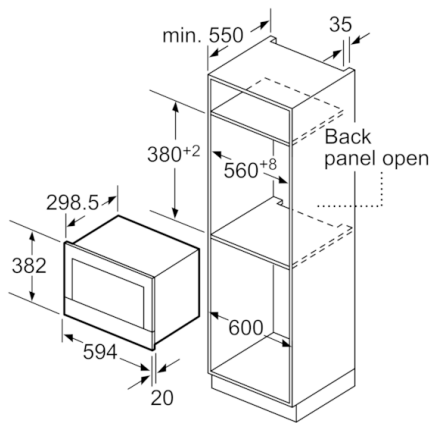


A: Back panel open

measurements in mm



A: Overhang at top:  
 Recess 362: 6 mm  
 Recess 365: 3 mm  
 B: Overhang at bottom: 14 mm



measurements in mm