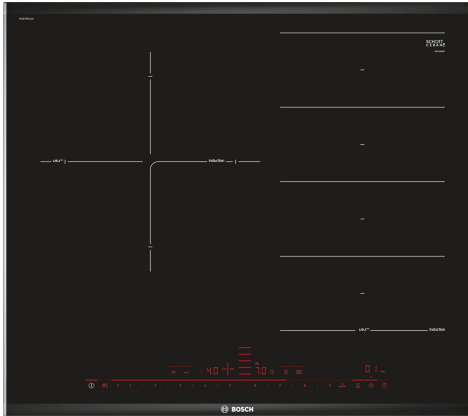


**Series 8, Flex induction hob, 60 cm,  
Black,  
PXJ675DC1E**



- HEZ390012 Steaming Rack for Stainless Steel roaste
- HEZ390512 Teppan Yaki (large)
- HEZ390522 Griddle Plate
- HEZ9ES100 Espresso maker 4 cups
- HEZ9FE280 Iron pan Ø 18 / 28 cm
- HEZ9FF010 Flex Pan, large
- HEZ9FF030 Flex Pan set, 3 pcs.
- HEZ9FF040 Flex Pan set, 4 pcs.
- HEZ9SE040 4 pieces Set
- HEZ9SE060 6 pieces Set
- HEZ9TY010 Teppan Yaki
- HZ390011 Stainless Steel roaster with glas lid

**The FlexInduction® hob: you can place  
multiple pots and pans or large cookware  
anywhere on the flexible cooking zone.**

- **DirectSelect Premium:** spacious and intuitive touch interface.
- **FlexInduction Zone:** Get more flexibility by combining the cooking zones into one big zone for placing small pots and large cookware.
- **28 cm cooking zone:** for small and large pots and pans.
- **PerfectFry:** no more worries about scorching.
- **Comfort Profile:** elegant, appealing design with bevelled front and metal strips on the side.

Product name/family: ..... Cooking zone ceramic  
 Built-in / Free-standing: ..... Built-in  
 Energy input: ..... Electric  
 Total number of positions that can be used at the same time: ..... 3  
 Min. required niche size for installation (HxWxD): ..... 51 x 560-560 x 490-500 mm  
 Width of the appliance: ..... 606 mm  
 Dimensions: ..... 51x606x527 mm  
 Dimensions of the packed product (HxWxD): ..... 126 x 753 x 603 mm  
 Net weight: ..... 12.6 kg  
 Gross weight: ..... 14.8 kg  
 Residual heat indicator: ..... yes  
 Location of control panel: ..... Front  
 Basic surface material: ..... Ceramic  
 Color of surface: ..... Black, Alu, brushed  
 Length electrical supply cord: ..... 110.0 cm  
 Sealed Burners: ..... No  
 Power Boost: ..... All cooking zones  
 Power of 2nd heating element (kW): ..... 2.6 kW  
 Connection rating: ..... 7400 W  
 Voltage: ..... 220-240 V  
 Frequency: ..... 60; 50 Hz  
 Energy input: ..... Electric  
 Plug type: ..... No plug (electrical connection by electrician)  
 Appliance Dimensions (h x w x d) (in): ..... x x  
 Dimensions of the packed product: ..... 4.96 x 23.74 x 29.64  
 Net weight: ..... 28.000 lbs  
 Gross weight: ..... 33.000 lbs  
 Total number of positions that can be used at the same time: ..... 3  
 Length electrical supply cord: ..... 110.0 cm  
 Min. required niche size for installation (HxWxD): ..... 51 x 560-560 x 490-500 mm  
 Dimensions: ..... 51x606x527 mm  
 Dimensions of the packed product (HxWxD): ..... 126 x 753 x 603 mm  
 Net weight: ..... 12.6 kg  
 Gross weight: ..... 14.8 kg



## **Series 8, Flex induction hob, 60 cm, Black, PXJ675DC1E**

### **The FlexInduction® hob: you can place multiple pots and pans or large cookware anywhere on the flexible cooking zone.**

- 60 cm: space for 3 pots or pans.

#### **Flexibility of cooking zones**

- Flex zone: use cookware of any shape or size anywhere within the 40cm long zone.
- Cooking zone rear left: 280 mm, 2.6 KW (max. power 3.7 KW)
- Cooking zone rear right: 210 mm, 190 mm , 2.2 KW (max power 3.7 KW)
- Cooking zone front right: 210 mm, 190 mm, 2.2 KW (max. power 3.7 KW)

#### **Usage convenience**

- DirectSelect Premium touch control: directly control the power on the extra large illuminated touch bar (invisible when switched off).
- 17 power levels: precisely adapt the heat with 17 power levels (9 main levels and 8 intermediate levels).
- Keep warm functions for all cooking zones: keep dishes warm at preset low power level.
- Switch off timer for every cooking zone: switches off the cooking zone at the end of the time set (e.g. for boiled eggs).
- Count-down timer: an alarm sounds at the end of the time set (e.g. for pasta).
- Count-up timer : shows how much time has passed since starting the timer (e.g. for potatoes).

#### **Time saving & efficiency**

- PowerBoost for all zones: boil water more quickly thanks to 50% more energy than at the highest standard level.
- PanBoost: heat up pans more quickly than at the highest standard level while protecting the pan coating.
- 3-steps: increase or decrease the power level simply by moving the pot forwards or backwards.
- QuickStart Function: when switching on, the hob automatically selects the cooking zone with cookware (placed in off-mode).
- ReStart Function: in case of unintentional switch-off, restore all previous settings by switching on the hob again within 4 seconds.

#### **Cooking assistance**

- PerfectFry sensor with 5 temperature settings: prevents scorching with the automatic temperature regulation of the integrated sensor.

#### **Design**

- Frameless

#### **Safety**

- Residual heat indicator (2 stage): indicates which cooking zones are still hot or warm.
- Childproof lock: prevent unintended activation of the hob.
- Wipe protection function : wipe overboiled liquids without unintentionally changing settings (blocking all touch buttons for 30 seconds).
- Main switch : switch off all cooking zones at the touch of a button.
- Safety switch-off: for safety reasons, heating stops after a preset

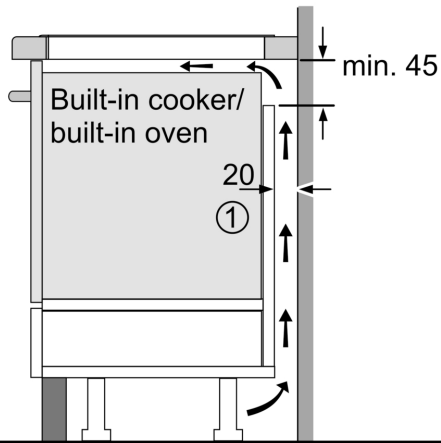
time without interaction (customizable).

- Energy consumption display: shows the electricity consumption of the last cooking process.

#### **Installation**

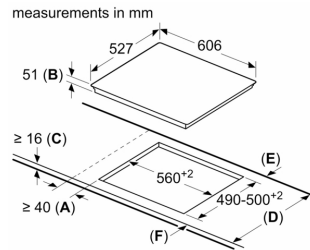
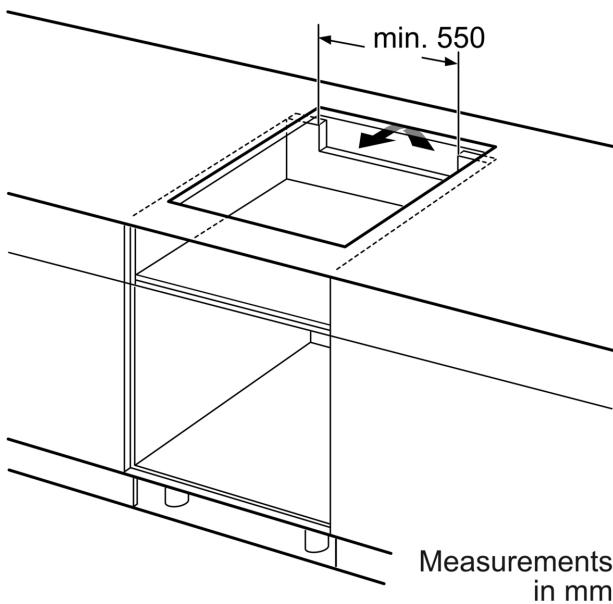
- Dimensions of the product (HxWxD mm): 51 x 606 x 527
- Required niche size for installation (HxWxD mm) : 51 x 560 x (490 - 500)
- Min. worktop thickness: 16 mm mm
- Connected load: 7400 W W
- PowerManagement Function: limit the maximum power if needed (depends on fuse protection of electric installation).
- Power cord: 1.1 m, connected to terminalblock

**Series 8, Flex induction hob, 60 cm,  
Black,  
PXJ675DC1E**



①  
Ventilation gap must  
be present

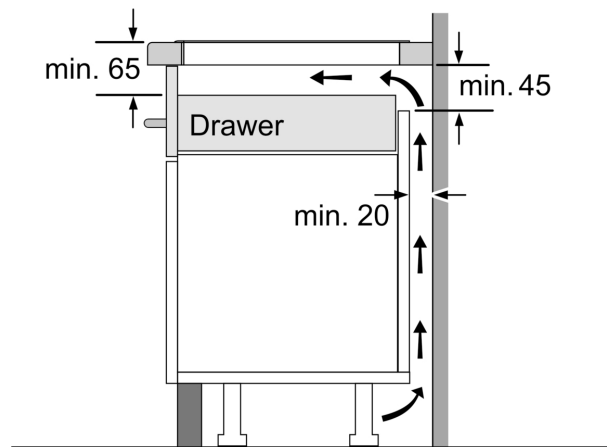
All measurements in mm



**A:** Minimum distance from the hob cut-out to the wall.  
**B:** Recessed depth  
**C:** The clearance between the surface of the worktop and the top of the front of the oven must be 30 mm. See space requirements for the oven.

The worktop into which the hob is installed must withstand loads of approx. 60 kg; suitable substructures must be used if required.

D	E	F
585-600	50	$\geq 35$
> 600	$\geq 50$	$\geq 50$



Measurements in mm