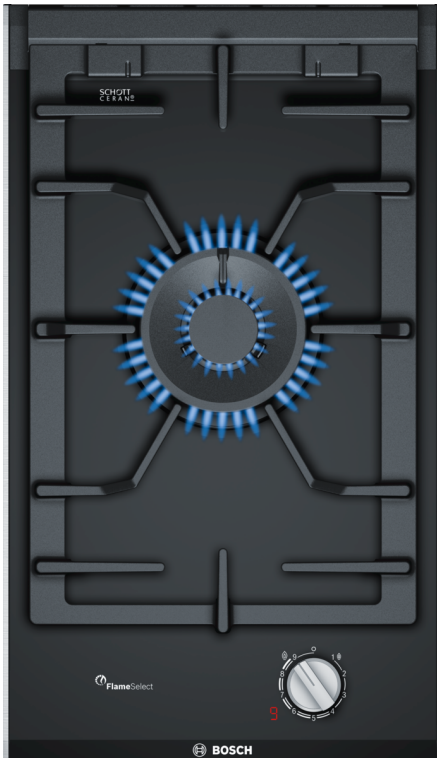


**Series 8, Domino Gas hob, 30 cm,
Ceramic, Black
PRA3A6D70**



**The domino gas hob with FlameSelect:
achieve perfect cooking results thanks to
nine precisely defined power levels.**

- **FlameSelect:** for a precise adjustment of the flame in nine defined levels.
- **Digital display:** to indicate the selected power level and residual heat for more comfort and safety.
- **Dual wok burner (including wok ring):** dual flame system for very powerful cooking at up to 6 kW (depending on gas type).
- **Dual flame power burner with two heat options, quickly boil water or maintain a precise simmer.**
- **Heavy-duty continuous surface grates can be easily and quickly cleaned in the dishwasher.**

Product name/family: Vario/Domino gas hob w control
 Built-in / Free-standing: Built-in
 Energy input: Gas
 Total number of positions that can be used at the same time: 1
 Min. required niche size for installation (HxWxD): 45 x 270 x 490-500 mm
 Width of the appliance: 306 mm
 Dimensions: 59 x 306 x 527 mm
 Dimensions of the packed product (HxWxD): 185 x 385 x 578 mm
 Net weight: 8.9 kg
 Gross weight: 9.8 kg
 Residual heat indicator: yes
 Location of control panel: Front
 Basic surface material: Ceramic
 Color of surface: Black, Alu, brushed
 Color of frame: Black
 Length electrical supply cord: 100.0 cm
 Connection rating: 2 W
 Gas connection rating: 6000 W
 Fuse protection: 3 A
 Voltage: 220-240 V
 Frequency: 60; 50 Hz
 Included accessories: 1 x WOK attachment ring

1 x WOK attachment ring



- HEZ298105 Simmer plate
- HEZ298113 Small pot support
- HEZ394301 Connecting strip

**Series 8, Domino Gas hob, 30 cm,
Ceramic, Black
PRA3A6D70**

**The domino gas hob with FlameSelect:
achieve perfect cooking results thanks to
nine precisely defined power levels.**

Power and size

- Dual wok burner
- Center: Wok burner up to 6 KW (depending on gas type)

Design

- Ceramic glass
- Sword control knobs
- Domino program

Comfort

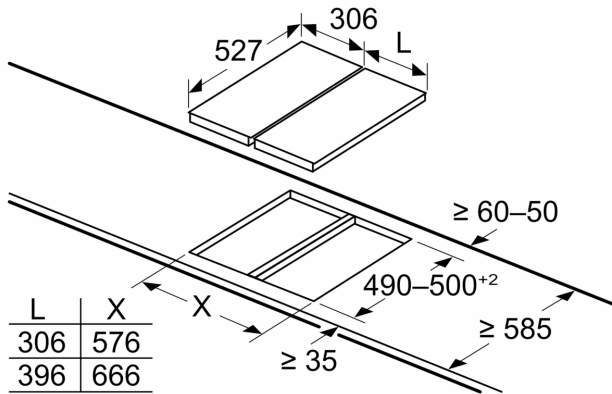
- FlameSelect
- Digital display
- 1 Hand ignition
- Cast iron continuous pan supports
- Pan supports dishwasher proof
- Residual heat indicator
- Flame failure safety device
- Preset for natural gas (20mbar). Also usable for NG H/E 20mbar, E+20/25mbar. Liquid gas G30,31 28-30/37mbar nozzle enclosed
- Wok ring included

Technical Information

- Dimensions (HxWxD mm) : 45 x 306 x 527
- Required niche size for installation (HxWxD mm) : 45 x 270 x 490-500
- Power cord length 1m

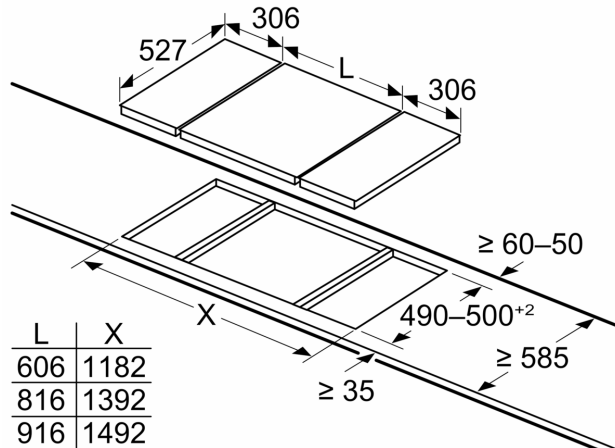
**Series 8, Domino Gas hob, 30 cm,
Ceramic, Black
PRA3A6D70**

Measurements in mm



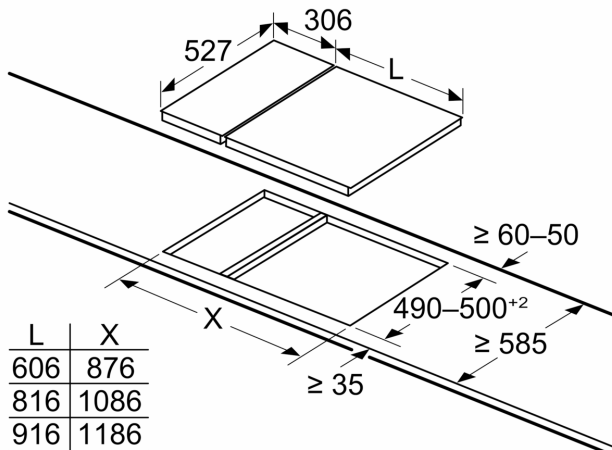
If two or more elements are installed right next to one another, one or several installation kits are required (2 elements 1 installation kit, 3 elements 2 installation kits, etc.)

Measurements in mm



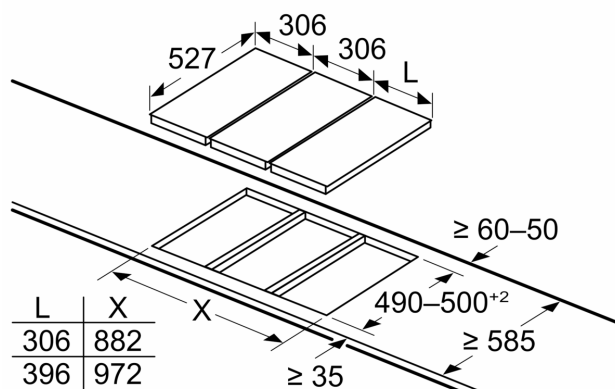
When installing two Domino units right next to a hob, two assembly kits (HEZ394301) are required

Measurements in mm



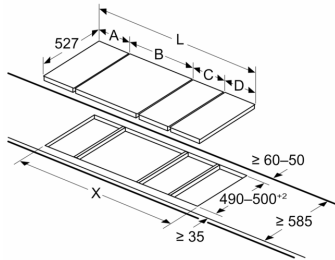
When installing two Domino units right next to a hob, two assembly kits (HEZ394301) are required

Measurements in mm



If two or more elements are installed right next to one another, one or several installation kits are required (2 elements 1 installation kit, 3 elements 2 installation kits, etc.)

Measurements in mm
Picture for the table Domino combination possibilities with corresponding devices and cutout dimensions



If two or more elements are installed right next to one another, one or several installation kits are required (2 elements 1 installation kit, 3 elements 2 installation kits, etc.)

Cutout dimension (X) depending on the combination (see combination table)

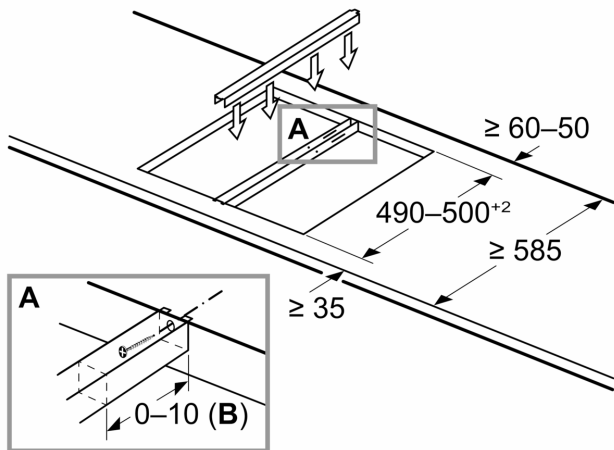
measurements in mm
 Domino combination options with corresponding appliance and cut-out dimensions

Width category:
 Appliance width:

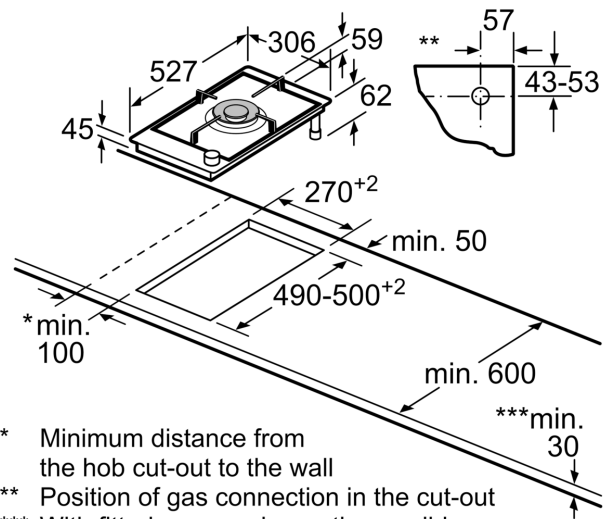
	A	B	C	D	L	X		
2x30	306	306	-	-	-	-	612	576
1x30, 1x40	306	396	-	-	-	-	702	666
1x30, 1x60	306	606	-	-	-	-	912	876
1x30, 1x70*	306	710	-	-	-	-	1016	980
1x30, 1x80	306	816	-	-	-	-	1122	1086
1x30, 1x90	306	916	-	-	-	-	1222	1186
2x40	396	396	-	-	-	-	792	756
1x40, 1x60	396	606	-	-	-	-	1002	966
1x40, 1x70*	396	710	-	-	-	-	1106	1070
1x40, 1x80	396	816	-	-	-	-	1212	1176
1x40, 1x90	396	916	-	-	-	-	1312	1276
3x30	306	306	306	-	-	-	918	882
2x30, 1x40	306	306	396	-	-	-	1008	972
2x30, 1x60	306	306	606	-	-	-	1218	1182
2x30, 1x70*	306	306	710	-	-	-	1322	1286
2x30, 1x80	306	306	816	-	-	-	1428	1392
2x30, 1x90	306	306	916	-	-	-	1528	1492
1x30, 2x40	306	396	396	-	-	-	1098	1062
1x30, 1x40, 1x60	306	396	606	-	-	-	1308	1272
1x30, 1x40, 1x70*	306	396	710	-	-	-	1412	1376
1x30, 1x40, 1x80	306	396	816	-	-	-	1518	1482
1x30, 1x40, 1x90	306	396	916	-	-	-	1618	1582
2x40, 1x60	396	396	606	-	-	-	1398	1362
4x30	306	306	306	306	-	-	1224	1188
3x30, 1x40	306	306	306	396	-	-	1314	1278
1x30, 1x75	306	750	-	-	-	-	1056	1020
1x40, 1x75	396	750	-	-	-	-	1146	1110
2x30, 1x75	306	306	750	-	-	-	1362	1326
1x30, 1x40, 1x75	306	396	750	-	-	-	1452	1416

* Not possible with 70 cm induction hob

Measurements in mm
Assembly kit (HEZ394301) for Domino



B: Dependent on the cut-out depth



- * Minimum distance from the hob cut-out to the wall
- ** Position of gas connection in the cut-out
- *** With fitted oven underneath, possibly more; see space requirements for the oven

measurements in mm