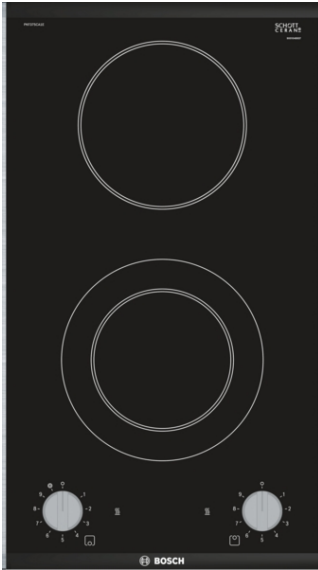


**Series 2, Domino Electric hob, 30 cm,  
Black,  
PKF375CA1E**



**The radiant hob of the Domino programme:  
makes cooking and cleaning especially easy.**

- **Surface mounted knobs:** for easy setting of preferred cooking level.
- 18 cm cooking zone - extendable cooking zone.
- **ComfortProfil:** Elegant, appealing design with bevelled front and metal strips on the side.
- **30 cm width:** suitable for combining with other Domino and ComfortProfile hobs.

---

**Technical Data**

Product name/family : Vario/Domino cooking zone cera

Built-in / Free-standing : Built-in

Energy input : Electric

Total number of positions that can be used at the same time : 2

Min. required niche size for installation (HxWxD) : 48 x x mm

Width of the appliance : 306 mm

Dimensions : 48 x 306 x 527 mm

Dimensions of the packed product (HxWxD) : 120 x 375 x 590 mm

Net weight : 4.8 kg

Gross weight : 5.5 kg

Residual heat indicator : yes

Location of control panel : Hob front

Basic surface material : Ceramic

Color of surface : Alu, brushed, Black

Length electrical supply cord : 100.0 cm

Connection Rating : 3200 W

Fuse protection : 16 A

Voltage : 220-240 V

Frequency : 60; 50 Hz



## **Series 2, Domino Electric hob, 30 cm, Black, PKF375CA1E**

**The radiant hob of the Domino programme:  
makes cooking and cleaning especially easy.**

---

### **Power and size:**

- 2 HighSpeed cooking zones, including:
  - Dual zone
- Cooking zones: 1 x Ø 180 mm, 120 mm, 0.8 KW, 2 KW; 1 x Ø 145 mm, 1.2 KW
- 9 power levels

### **Design:**

- Can be combined with all autarkic hobs in comfort design
- Surface-mounted controls

### **Comfort:**

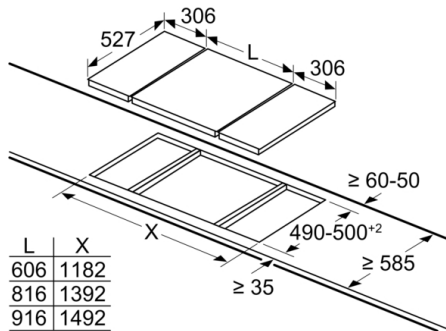
- 2 power on indicator lights
- Residual heat indicator for each zone

### **Technical information**

- Dimensions of the product (HxWxD mm) : 48 x 306 x 527
- Required niche size for installation (HxWxD mm) : 48 x 270 x 490 - 500
- Min. worktop thickness: 16 mm mm
- Total connected load: 3200 W W
- Cable included

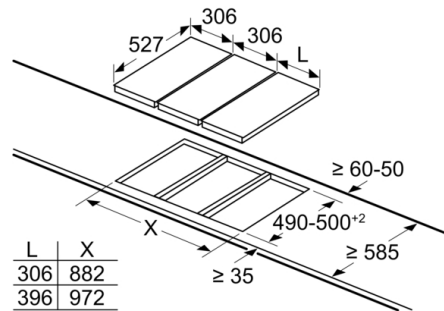
## Series 2, Domino Electric hob, 30 cm, Black, PKF375CA1E

measurements in mm



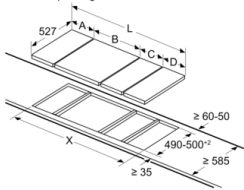
When installing two Domino units right next to a hob, two assembly kits (HEZ394301) are required.

measurements in mm



When installing two or more Domino units side-by-side, one or more assembly kits are required (2 units = 1 assembly kit, 3 units = 2 assembly kits, etc.).

measurements in mm  
Picture for the table Domino combination possibilities with corresponding devices and cutout dimensions



If two or more elements are installed right next to one another, one or several installation kits are required (2 elements 1 installation kit, 3 elements 2 installation kits, etc.).

Cutout dimension (X) depending on the combination see table:

measurements in mm

Domino combination options with corresponding appliance and cut-out dimensions

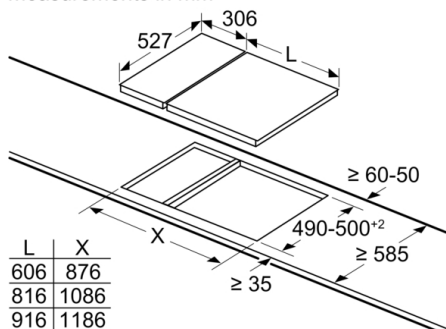
Width category:  
Appliance width:

	A	B	C	D	L	X		
2x30	306	306	-	-			612	<b>576</b>
1x30, 1x40	306	396	-	-			702	<b>666</b>
1x30, 1x60	306	606	-	-			912	<b>876</b>
1x30, 1x70*	306	710	-	-			1016	<b>980</b>
1x30, 1x80	306	816	-	-			1122	<b>1086</b>
1x30, 1x90	306	916	-	-			1222	<b>1186</b>
2x40	396	396	-	-			792	<b>756</b>
1x40, 1x60	396	606	-	-			1002	<b>966</b>
1x40, 1x70*	396	710	-	-			1106	<b>1070</b>
1x40, 1x80	396	816	-	-			1212	<b>1176</b>
1x40, 1x90	396	916	-	-			1312	<b>1276</b>
3x30	306	306	306	-			918	<b>882</b>
2x30, 1x40	306	306	396	-			1008	<b>972</b>
2x30, 1x60	306	306	606	-			1218	<b>1182</b>
2x30, 1x70*	306	306	710	-			1322	<b>1286</b>
2x30, 1x80	306	306	816	-			1428	<b>1392</b>
2x30, 1x90	306	306	916	-			1528	<b>1492</b>
1x30, 2x40	306	396	396	-			1098	<b>1062</b>
1x30, 1x40, 1x60	306	396	606	-			1308	<b>1272</b>
1x30, 1x40, 1x70*	306	396	710	-			1412	<b>1376</b>
1x30, 1x40, 1x80	306	396	816	-			1518	<b>1482</b>
1x30, 1x40, 1x90	306	396	916	-			1618	<b>1582</b>
2x40, 1x60	396	396	606	-			1398	<b>1362</b>
4x30	306	306	306	306			1224	<b>1188</b>

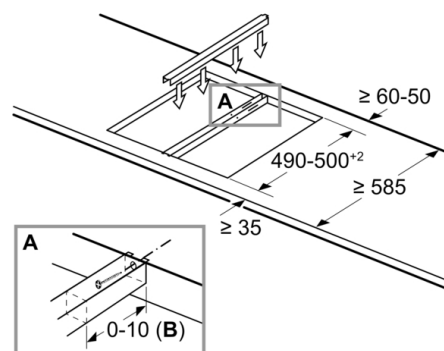
measurements in mm

Assembly kit (HEZ394301) for Domino

measurements in mm



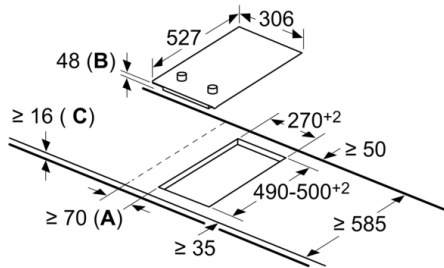
When installing a Domino unit right next to a hob, an assembly kit (HEZ394301) is required.



B: Dependent on the cut-out depth

**Series 2, Domino Electric hob, 30 cm, Black,  
PKF375CA1E**

measurements in mm



- A:** Minimum distance from the hob cut-out to the wall.
- B:** Recessed depth
- C:** With fitted oven underneath min. 20, possibly more; see space requirements for the oven.