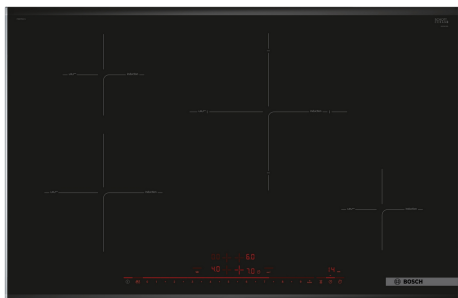


**Series 8, Induction hob, 80 cm,
Black,
PIE875DC1E**




HEZ32WA00 Wireless food thermometer, HEZ390090 Wok Set consisting of 3 Items, HEZ390210 System pan diameter 15 cm, HEZ390220 System pan diameter 19 cm, HEZ390230 System pan diameter 21cm, HEZ390250 System pan diameter 28 cm, HEZ394301 Connecting strip, HEZ9CF240 Fry pan, coated 24cm Ø, HEZ9CF280 Fry pan, coated 28cm Ø, HEZ9ES100 Espresso maker 4 cups, HEZ9FE280 Iron pan Ø 18 / 28 cm, HEZ9SE030 Set of 2 pots and 1 pan, HEZ9SE040 4 pieces Set, HEZ9SE060 6 pieces Set

The induction hob with PerfectFry: achieve perfect frying results thanks to automatic temperature control.

- **DirectSelect Premium:** direct, simple selection of the desired cooking zone, power and additional functions.
- **28 cm cooking zone:** for small and large pots and pans.
- **PerfectFry:** no more worries about scorching.
- **Comfort Profile:** elegant, appealing design with bevelled front and metal strips on the side.
- **Power Boost:** up to 35% faster heating compared to highest power level.

Product name/family: Cooking zone ceramic
 Built-in / Free-standing: Built-in
 Energy input: Electric
 Total number of positions that can be used at the same time: 4
 Required niche size for installation (HxWxD): 51 x 750-780 x 490-500 mm
 Width of the appliance: 816 mm
 Dimensions: 51x816x527 mm
 Dimensions of the packed product (HxWxD): 126 x 953 x 603 mm
 Net weight: 13.4 kg
 Gross weight: 17.0 kg
 Residual heat indicator: yes
 Location of control panel: Front
 Basic surface material: Ceramic
 Color of surface: Black, Alu, brushed
 Length electrical supply cord: 110.0 cm
 Sealed Burners: No
 Power Boost: All cooking zones
 Power of heating element (kW): 2.2 kW
 Power of 3rd heating element (kW): 1.4 kW
 Power of 5th heating element (kW): 2.6 kW
 Power of heating element (kW in boost): [3.7] kW
 Power of 3rd heating element (kW in boost): [2.1] kW
 Power of 5th heating element (kW in boost): [3.7] kW
 Connection rating: 7400 W
 Voltage: 220-240 V
 Frequency: 60; 50 Hz
 Energy input: Electric
 Plug type: No plug (electrical connection by electrician)
 Appliance Dimensions (h x w x d) (in): x x
 Dimensions of the packed product: 4.96 x 23.74 x 37.51
 Net weight: 29.000 lbs
 Gross weight: 37.000 lbs
 Total number of positions that can be used at the same time: 4
 Length electrical supply cord: 110.0 cm
 Required niche size for installation (HxWxD): 51 x 750-780 x 490-500 mm
 Dimensions: 51x816x527 mm
 Dimensions of the packed product (HxWxD): 126 x 953 x 603 mm
 Net weight: 13.4 kg
 Gross weight: 17.0 kg





**Series 8, Induction hob, 80 cm,
Black,
PIE875DC1E**

The induction hob with PerfectFry: achieve perfect frying results thanks to automatic temperature control.

Power and size

- 4 Induction cooking zones
- Cooking zones: 1 x Ø 210 mm, 2.2 KW (max. power 3.7 KW) Induction; 1 x Ø 145 mm, 1.4 KW (max. power 2.1 KW) Induction; 1 x Ø 280 mm, 2.6 KW (max. power 3.7 KW) Induction; 1 x Ø 145 mm, 1.4 KW (max. power 2.1 KW) Induction
- 17 power levels

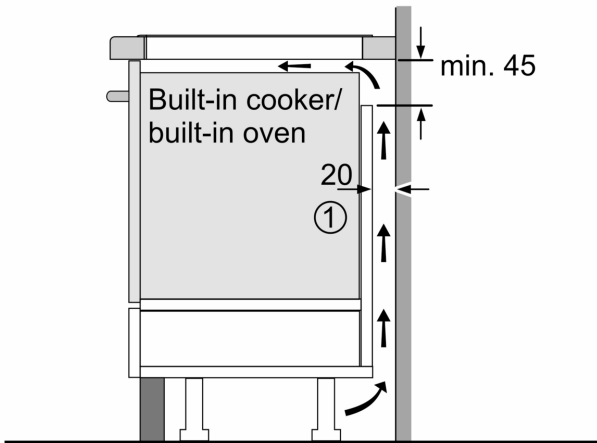
Design

- Comfort profile
- DirectSelect Premium touch control

Comfort

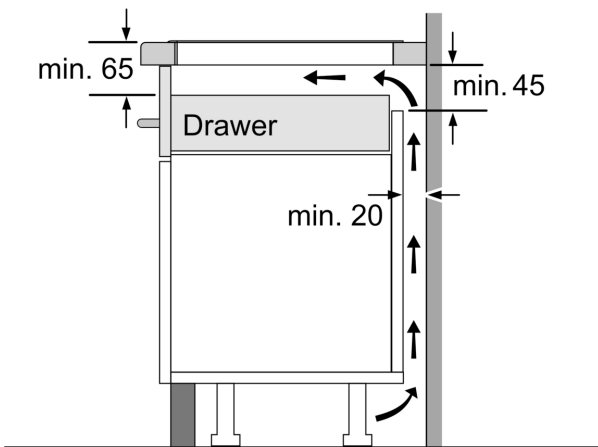
- PerfectFry sensor with 5 temperature settings
- Digital display
- Switch off timer for every cooking zone Timer
- QuickStart Function
- ReStart Function
- Energy consumption display
- 2 stage residual heat indicator
- Main switch
- PowerBoost function for all zones
- Dimensions of the product (HxWxD mm): 51 x 816 x 527
- Required niche size for installation (HxWxD mm) : 51 x 750 x (490 - 500)
- Min. worktop thickness: 16 mm mm
- Cable included
- Connection cable 110 cm
- Connected load: 7400 W W

**Series 8, Induction hob, 80 cm,
Black,
PIE875DC1E**

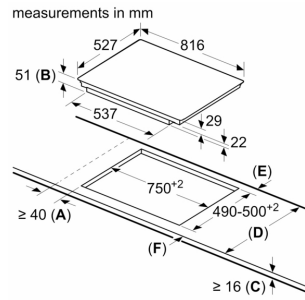


①
Ventilation gap must
be present

All measurements in mm



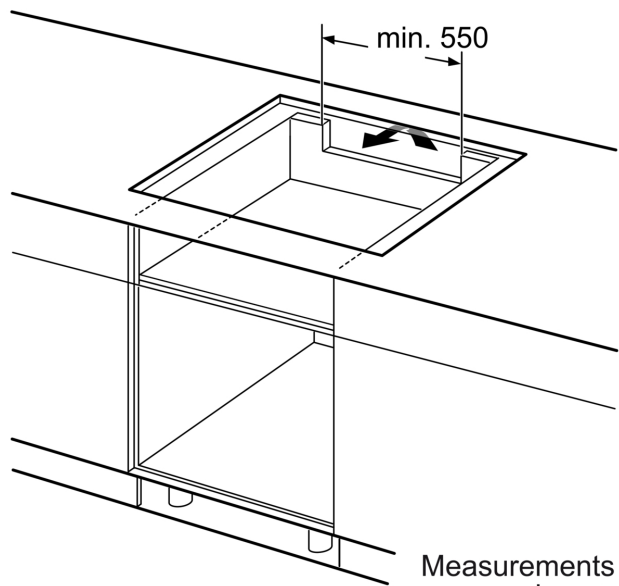
Measurements in mm



A: Minimum distance from the hob cut-out to the wall.
B: Recessed depth
C: The clearance between the surface of the worktop and the top of the front of the oven must be 30 mm. See space requirements for the oven.

The worktop into which the hob is installed must withstand loads of approx. 60 kg; suitable substructures must be used if required.

D	E	F
585-600	50	≥ 35
> 600	≥ 50	≥ 50



Measurements
in mm