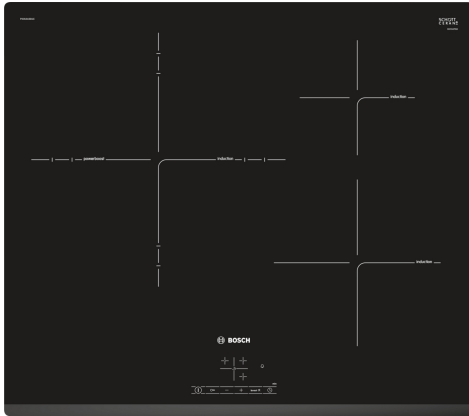


**Series 4, Induction hob, 60 cm,
surface mount without frame
PID631BB1E**



- HEZ9ES100 Espresso maker 4 cups
- HEZ9FE280 Iron pan Ø 18 / 28 cm
- HEZ9SE030 Set of 2 pots and 1 pan
- HEZ9SE040 4 pieces Set
- HEZ9SE060 6 pieces Set

**The induction hob: cook fast, clean and
safely while using very little energy.**

- **Touch Select:** selection of the desired cooking zone and easy setting of the desired power level.
- **Front Bevel:** Elegant, appealing design with bevelled front.
- **Power Boost:** up to 35% faster heating compared to highest power level.
- **Quick Start:** start straight away and select the desired cooking level.
- **Restart:** restores hob settings in case of an unintentional hob switch-off.

Product name/family: Cooking zone ceramic
 Built-in / Free-standing: Built-in
 Energy input: Electric
 Total number of positions that can be used at the same time: 3
 Required niche size for installation (HxWxD): 51 x 560-560 x 490-500 mm
 Width of the appliance: 592 mm
 Dimensions: 51x592x522 mm
 Dimensions of the packed product (HxWxD): 126 x 753 x 603 mm
 Net weight: 13.4 kg
 Gross weight: 14.6 kg
 Residual heat indicator: yes
 Location of control panel: Front
 Basic surface material: Ceramic
 Color of surface: Black
 Length electrical supply cord: 110 cm
 Sealed Burners: No
 Power Boost: All cooking zones
 Power of 2nd heating element (kW): 2200.0 ; 2600.0 ; 3300.0 W
 Power of 5th heating element (kW): 1400.0 W
 Power of 5th heating element (kW in boost): [2.2] kW
 Connection rating: 7400 W
 Voltage: 220-240 V
 Frequency: 60; 50 Hz
 Energy input: Electric
 Plug type: No plug (electrical connection by electrician)
 Appliance Dimensions (h x w x d) (in): x x
 Dimensions of the packed product: 4.96 x 23.74 x 29.64
 Net weight: 30.000 lbs
 Gross weight: 32.000 lbs
 Total number of positions that can be used at the same time: 3
 Length electrical supply cord: 110 cm
 Required niche size for installation (HxWxD): 51 x 560-560 x 490-500 mm
 Dimensions: 51x592x522 mm
 Dimensions of the packed product (HxWxD): 126 x 753 x 603 mm
 Net weight: 13.4 kg
 Gross weight: 14.6 kg



Series 4, Induction hob, 60 cm, surface mount without frame PID631BB1E

**The induction hob: cook fast, clean and
safely while using very little energy.**

Power and size

- 3 induction cooking zones
- Cooking zones: 1 x Ø 320 mm, 260 mm, 210 mm, 3.3 KW (max. power 5.5 KW) Induction; 1 x Ø 145 mm, 1.4 KW (max. power 2.2 KW) Induction; 1 x Ø 210 mm, 2.2 KW (max. power 3.7 KW) Induction
- 17 power levels

Design

- Front facette design
- TouchSelect

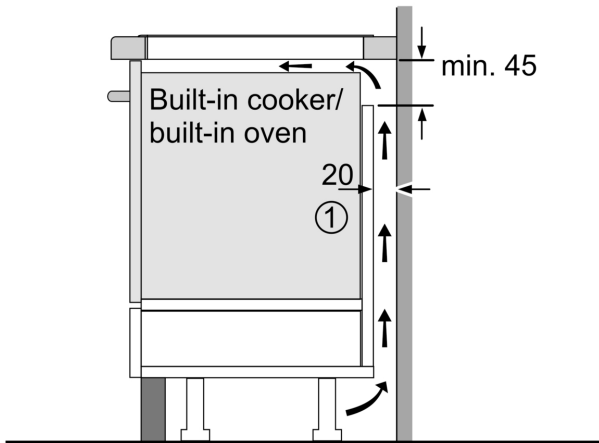
Comfort

- 1 triple zone
- Switch off timer for every cooking zone Timer
- QuickStart Function
- ReStart Function
- 2 stage residual heat indicator
- Main switch
- Automatic pan recognition sensor, PowerManagement Function, Safety switch-off, Childproof lock
- Digital display
- PowerBoost function for all zones

Technical Information

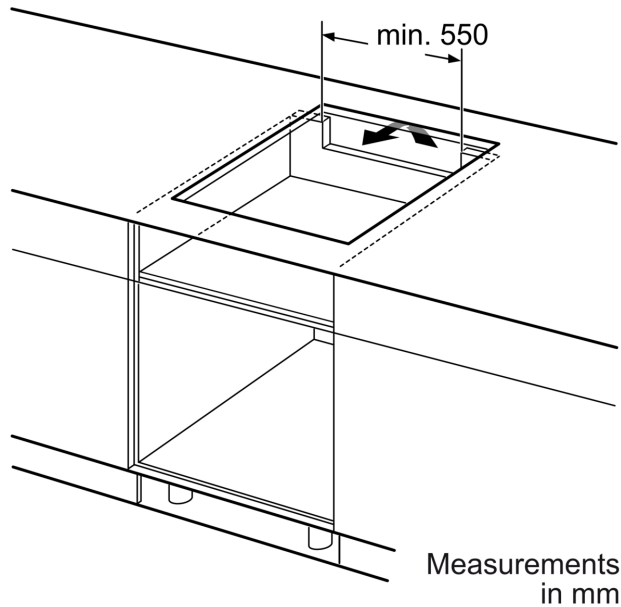
- Dimensions of the product (HxWxD mm): 51 x 592 x 522
- Required niche size for installation (HxWxD mm) : 51 x 560 x (490 - 500)
- Min. worktop thickness: 16 mm mm
- Connection cable 110 cm
- Cable included
- Connected load: 7400 W W

**Series 4, Induction hob, 60 cm,
surface mount without frame
PID631BB1E**

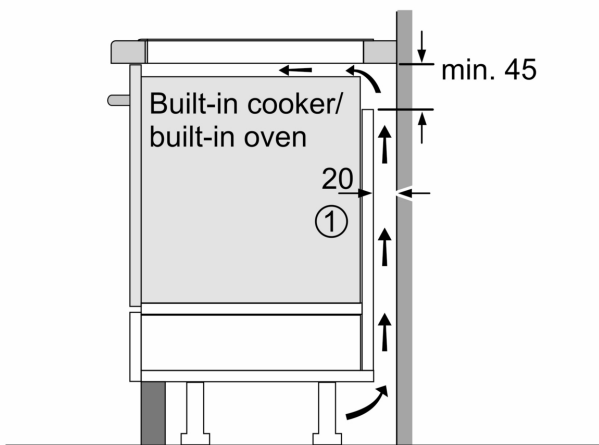


①
Ventilation gap must
be present

All measurements in mm

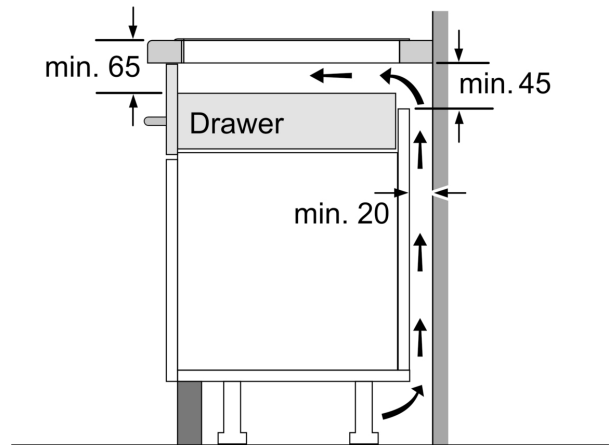


Measurements
in mm



①
Ventilation gap must
be present

All measurements in mm



Measurements in mm