

**Series 2, Built-in oven, 60 x 60 cm,
Stainless steel
HBF113BR0A**



The built-in oven with 3D hotair: achieve perfect baking and roasting results on up to three levels simultaneously.

- **LED-display control, red:** easy-to-use thanks to the time functions.

1 x combination grid, 1 x universal pan

- HEZ317000 Pizza pan, enamelled
- HEZ327000 Pizza stone
- HEZ431002 Baking tray, enamelled
- HEZ625071 Grill tray, anthracite
- HEZ915003 Glass roasting dish, 5,4 L

Gross weight: 34.3 kg
 Built-in / Free-standing: Built-in
 Integrated Cleaning system: No
 Required niche size for installation (HxWxD): 575-597 x 560-568 x 550 mm
 Dimensions: 595x594x548 mm
 Dimensions of the packed product (HxWxD): 680 x 655 x 680 mm
 Control Panel Material: Stainless steel
 Door Material: Glass
 Net weight: 31.5 kg
 Usable volume of cavity: 66 l
 Heating modes::Hotair gentle, Hot Air, Conventional heat, Hot air grilling, Full width variable grill
 Number of interior lights: 1
 Length electrical supply cord: 146.0 cm
 Interior Lights - cavity 1: 1
 Pull-out system: Accessory
 Included accessories: 1 x combination grid, 1 x universal pan
 Broil Element Wattages cavity 1:2800 W
 Energy efficiency class:A
 Energy consumption per cycle conventional (2010/30/EC):0.98 kWh/cycle
 Energy consumption per cycle forced air convection (2010/30/EC):79 kWh/cycle
 Energy efficiency index (2010/30/EC): 95.2 %
 Connection rating: 3300 W
 Fuse protection: 16 A
 Voltage: 220-240 V
 Frequency: 60; 50 Hz
 Plug type:No plug (electrical connection by electrician)
 Energy input:Electric
 Required cutout/niche size for installation (in):x
 Dimensions of the packed product: 26.77 x 25.78 x 26.77
 Net weight:69.000 lbs
 Gross weight: 76.000 lbs
 Length electrical supply cord: 146.0 cm
 Net weight: 31.5 kg



**Series 2, Built-in oven, 60 x 60 cm,
Stainless steel
HBF113BR0A**

The built-in oven with 3D hotair: achieve perfect baking and roasting results on up to three levels simultaneously.

Type of oven / heating system:

- Oven with 5 heating methods: 3D hotair, Conventional heat, Hot air grilling, Hotair gentle, Full width variable grill
- Temperature range 50 °C - 275 °C
- Cavity volume: 66 l l

Design

- LED-display control (red)
- Control Ring
- Bar handle

Comfort

- Rapid heating-up
- Innerdoor main: Full glass inner door
- Drop down door
- Halogen interior lighting

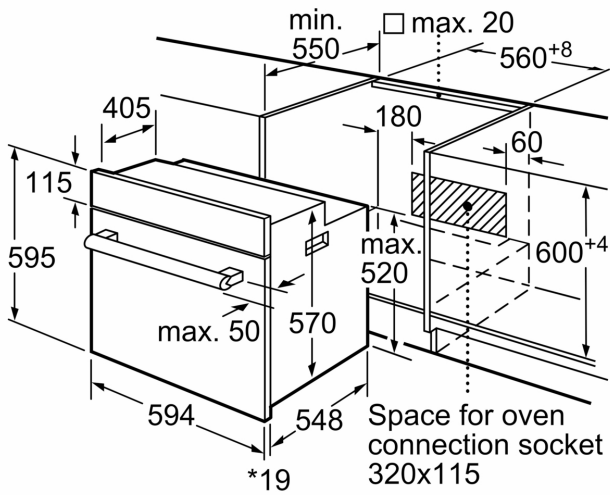
Technical Information

- Length of mains cable: 150 cm
- Nominal voltage: 220 - 240 V
- Energy efficiency rating (acc. EU Nr. 65/2014): A(at a range of energy efficiency classes from A+++ to D)
- Energy consumption per cycle in conventional mode: 0.98 kWh kwh
Energy consumption per cycle in fan-forced convection mode: 0.79 kWh kwh

Dimensions:

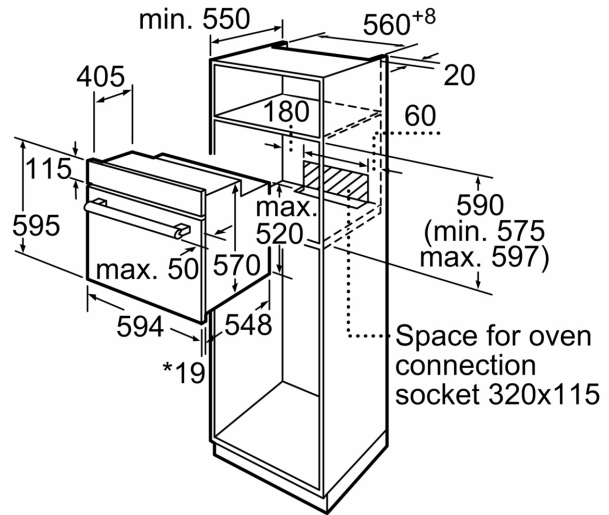
- Appliance dimension (hxwxh): 595 mm x 594 mm x 548 mm
- Niche dimension (hxwxh): 575 mm - 597 mm x 560 mm - 568 mm x 550 mm
- "Please reference the built-in dimensions provided in the installation drawing"

**Series 2, Built-in oven, 60 x 60 cm,
Stainless steel
HBF113BR0A**



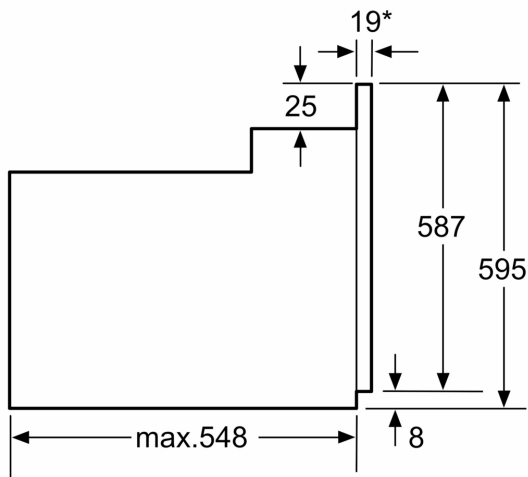
* 20 mm for metal fascias

measurements in mm



* 20 mm for metal fascias

measurements in mm



* 20 mm for metal fascias

Dimensions in mm