

**Series 2, Wall-mounted cooker hood,  
90 cm, Stainless steel  
DWP96BC50B**



DHZ1224	Chimney extension 500 mm
DHZ1234	Chimney extension 750 mm
DHZ5275	Standard recirculation kit
DHZ5276	Standard odor filter (replacement)
DHZ9550	Brushed steel back panel
DHZ9551	Brushed steel back panel

**Pyramid hood: perfect performance  
matching your kitchen.**

- **3-Speed Power Level Options To Suit Your Cooking Style And Recipes**
- **Converts to Recirculation Mode with Accessory Kit (Separate Purchase Required)**
- **Absorbs odors with Charcoal Replacement Filters (Available for sale)**

Typology: .....Wall-mounted  
 Length electrical supply cord: ..... 130.0 cm  
 Height of the chimney: ..... 553-730/573-730 mm  
 Height of product, without chimney: ..... 246 mm  
 Net weight: ..... 10.1 kg  
 Type of control: ..... mechanical  
 Number of speed settings: ..... 3  
 Max. air extraction: ..... 626 m<sup>3</sup>/h  
 Max. air recirculation: ..... 409 m<sup>3</sup>/h  
 Number of lights: ..... 2  
 Noise level: ..... 69 dB(A) re 1 pW  
 Diameter of air outlet: ..... 120 / 150 mm  
 Grease filter material: .....Washable aluminium  
 Odour filter: ..... No  
 Operating Mode: ..... Exhaust / Recirculation (Accessory available separately)  
 Optional accessories: ..... DHZ1224, DHZ1234, DHZ5275, DHZ5276, DHZ9550, DHZ9551  
 Type of lamps used: ..... LED  
 Grease filter type: .....Kassette  
 Clean filter reminders: .....No  
 Connection rating: ..... 220 W  
 Fuse protection: .....10 A  
 Voltage: ..... 220-240 V  
 Frequency: ..... 50; 60 Hz  
 Plug type: ..... GB plug  
 Installation typology: .....Wall-mounted  
 Material body: ..... Stainless steel  
 Plug type: ..... GB plug  
 Dimensions of the product, with chimney (if exists) (in): .....x x  
 Dimensions of the packed product: ..... 13.77 x 25.59 x 40.55  
 Net weight: ..... 22.000 lbs  
 Gross weight: ..... 32.000 lbs  
 Motor location: ..... Integrated motor in hood body  
 No-return airflow flap: ..... Yes  
 Length electrical supply cord: ..... 130.0 cm  
 Dimensions of the product, with chimney (if exists): .799-975 x 900.0 x 500.0 mm  
 Dimensions of the packed product (HxWxD): ... 350 x 650 x 1030 mm  
 Net weight: ..... 10.1 kg  
 Gross weight: ..... 14.4 kg



## **Series 2, Wall-mounted cooker hood, 90 cm, Stainless steel DWP96BC50B**

**Pyramid hood: perfect performance  
matching your kitchen.**

---

### **Design**

- Wall mounted hood
- 90 cm Chimney hood, Brushed steel

### **Technical information**

- Extraction rate in recirculation mode: Max. normal use: 409 m<sup>3</sup>/h
- Energy Efficiency Class: A (at a range of energy efficiency classes from A+++ to D)
- Average Energy Consumption: 41.7 kWh/year
- Noise level according to EN 60704-2-13 at max. normal use exhaust air: 64 dB(A) re 1 pW dB(A) re 1 pW
- Noise min./max. Normal Level: 51/69 dB

### **Comfort**

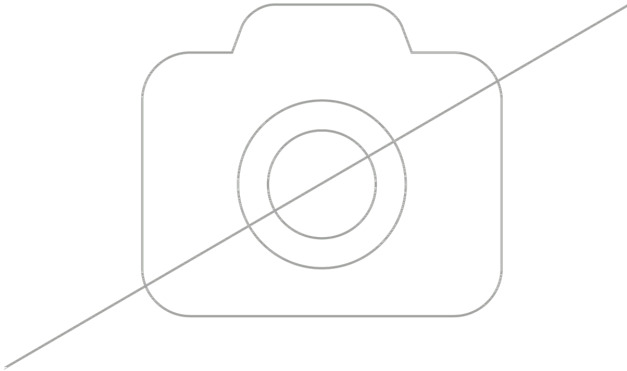
- 3 speeds via push buttons
- 2 x 1,5 W LED
- push buttons
- Metal grease fliter, dishwasher safe
- Energy efficient Capacitor motor

### **Technical information**

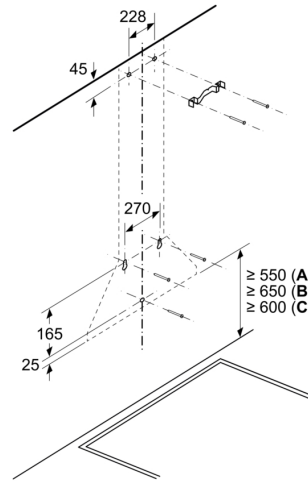
- Suitable for ducted or re-circulated extraction
- For recirculated extraction standard recirculation kit (accessory) needed
- Dimensions exhaust air (HxWxD): 799-975 x 900 x 500 mm
- Dimensions recirculating (HxWxD): 799-975 x 900 x 500 mm
- Diameter pipe Ø 150 mm (Ø 120 mm enclosed)
- Power rating: 220 W
- Electrical cable length 1.3 m

In accordance with the EU-Regulation No 65/2014

**Series 2, Wall-mounted cooker hood,  
90 cm, Stainless steel  
DWP96BC50B**

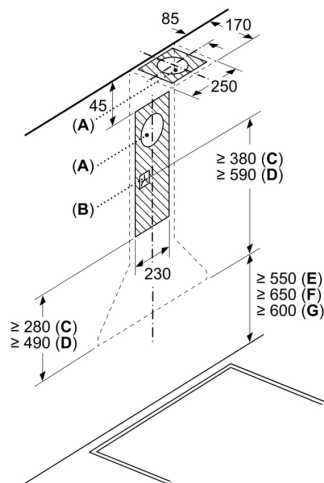


Measurements in mm



- A: Electric
- B: Gas - from upper edge of pan support
- C: Electric - for Australia and New Zealand

Measurements in mm



- A: Exhaust-air outlet
- B: Socket
- C: Exhaust air
- D: Circulated air
- E: Electric
- F: Gas - from upper edge of pan support
- G: Electric - for Australia and New Zealand

