

**Series 4, Wall-mounted cooker hood,
60 cm, Black glass canopy
DWK67CM60B**



- DWZ0AK0R0 Long Life recirculation kit (chimless)
- DWZ0AK0S0 Long Life recirculation kit
- DWZ0AX5K0 Chimney extension 1000 mm
- DWZ0AX5L0 Chimney extension 1500 mm
- DWZ1AK1B6 Clean Air Plus odor filter (replacement)
- DWZ1AK1I6 Clean Air Plus recirculation kit
- DWZ1AK1V6 Clean Air Plus recirc. kit (chimless)
- DWZ1AX5C6 Clean Air Plus recirc. kit external
- DWZ1AX6E1 Chimney standard black
- DZZ0XX0P0 Long Life odor filter (replacement)
- DZZ1XX1B6 Clean Air Plus odor filter (replacement)

**Inclined hood: optimal for keeping an eye
on your pots and pans.**

- **Especially silent:** maximal extractor performance with minimal noise
- **Easy-to-clean interior:** hidden screws and cables along with rounded edges make cleaning easy.
- **TouchSelect control:** Quickly select hood settings via touch.
- **Intensive speed setting:** removes strong kitchen odours especially quickly and effectively.

Typology:Wall-mounted
 Length electrical supply cord: 130.0 cm
 Height of product, without chimney: 323 mm
 Net weight: 20.1 kg
 Type of control:Electronic
 Number of speed settings: 3-stages + intensive setting
 Max. air extraction: 416 m³/h
 Boost position output recirculating: 469 m³/h
 Max. air recirculation: 367 m³/h
 Boost position air extraction: 700 m³/h
 Number of lights: 2
 Noise level: 58 dB(A) re 1 pW
 Diameter of air outlet: 120 / 150 mm
 Grease filter material:Washable aluminium
 Odour filter: No
 Operating Mode:Exhaust / Recirculation (Accessory available separately)
 Optional accessories: DWZ0AK0R0, DWZ0AK0S0, DWZ0AX5K0, DWZ0AX5L0, DWZ1AK1B6, DWZ1AK1I6, DWZ1AK1V6, DWZ1AX5C6, DWZ1AX6E1, DZZ0XX0P0, DZZ1XX1B6
 Type of lamps used: LED
 Grease filter type:Kassette
 Clean filter reminders:No
 Connection rating: 263 W
 Fuse protection:10 A
 Voltage: 220-240 V
 Frequency: 50; 60 Hz
 Plug type:GB plug
 Installation typology:Wall-mounted
 Material body:Glass, Lacquered
 Plug type: GB plug
 Dimensions of the product, with chimney (if exists) (in):x x
 Dimensions of the packed product: 27.16 x 29.13 x 40.94
 Net weight:44.000 lbs
 Gross weight: 63.000 lbs
 Motor location: Integrated motor in hood body
 No-return airflow flap: No
 Length electrical supply cord: 130.0 cm
 Dimensions of the product, with chimney (if exists):452 x 590.0 x 499.0 mm
 Dimensions of the packed product (HxWxD): ... 690 x 740 x 1040 mm
 Net weight: 20.1 kg
 Gross weight: 28.8 kg



Series 4, Wall-mounted cooker hood, 60 cm, Black glass canopy DWK67CM60B

Inclined hood: optimal for keeping an eye on your pots and pans.

- Average Energy Consumption: 56.6 kWh/year
- Energy Efficiency Class: B (at a range of energy efficiency classes from A+++ to D)
- Blower Efficiency Class: B*
- Lighting Efficiency Class: B
- Grease Filtering Efficiency Class: C
- Noise min./max. Normal Level: 48/58 dB

Variant

Design

Technical information

Performance

- 3 speeds plus intensive

Power:

Environment and safety:

Comfort

Measures:

Technical information

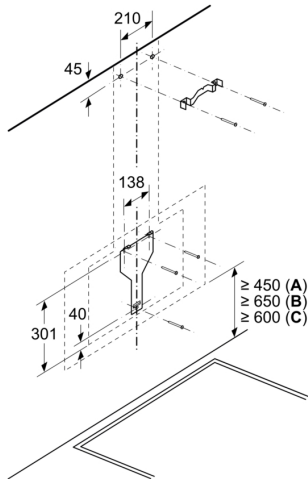
- Inclined Hood black
- 60 cm
- 59 cm Chimney hood, black
- Glass plate: Clear glass black printed.
- Suitable for ducted or re-circulated extraction
- In recirculation operation chimless use possible
- For recirculated extraction a standard recirculating kit (accessory) is needed
- Wall mounted hood
- easy wall fixing system
- TouchControl (3 speeds plus intensive setting) with Electronic display
- 2 capture areas: front side and bottom side
- Automatic revert setting, 6 minutes
- easy to clean innerframe
- Twin channel high performance fan motor
- Energy efficient Capacitor motor
- 2 x 1,5 W LED
- Light Intensity: 100 lux
- Colour Temperature: 3500 K
- RimVentilation
- Fliter cover glass
- Metal grease fliter, dishwasher safe
- Extraction rate according to EN 61591 ø 15 cm: max. Normal use 416 m³/h Intensive 700 m³/h
- Extraction rate exhaust air according to EN 61591 max.700 m³/h
- Extraction rate according to EN 61591 ø 15 cm: max. Normal use 416 m³/h Intensive 700 m³/h

- Extraction rate exhaust air according to EN 61591:
- max. normal use 416 m³/h, intensive 700 m³/h
- Noise level according to EN 60704-2-13 at max. normal use exhaust air: 64 dB(A)re 1 pW dB(A)re 1 pW
- Noise level according to EN 60704-2-13 exhaust air:Max.normal use: 58 dB(A)re 1 pW Intensive:67 dB(A)re 1 pW
- Diameter pipe Ø 150 mm (Ø 120 mm enclosed)
- Power rating: 263 W
- Max.extraction rate:700 m³/h
- Dimensions exhaust air (HxWxD): 928-1198 x 590 x 499 mm
- Dimensions recirculating, chimney (HxWxD): 988-1258 x 590 x 499mm
- Dimensions recirculating, chimless (HxWxD): 452 mm x 590 x 499 mm

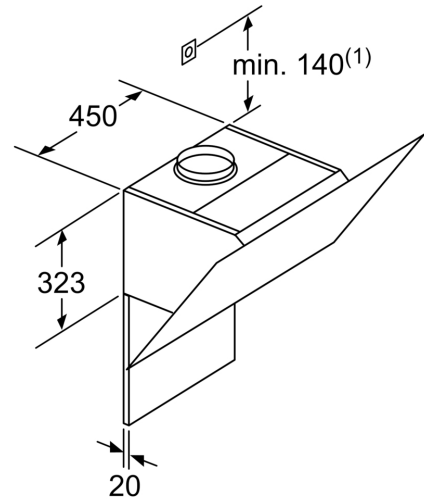
In accordance with the EU-Regulation No 65/2014

**Series 4, Wall-mounted cooker hood,
60 cm, Black glass canopy
DWK67CM60B**

Measurements in mm



- A: Electric
- B: Gas - from upper edge of pan support
- C: Electric - for Australia and New Zealand

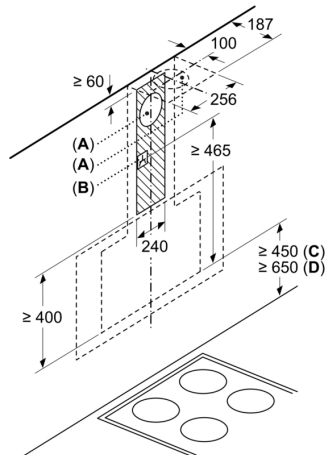


(1) Position of socket

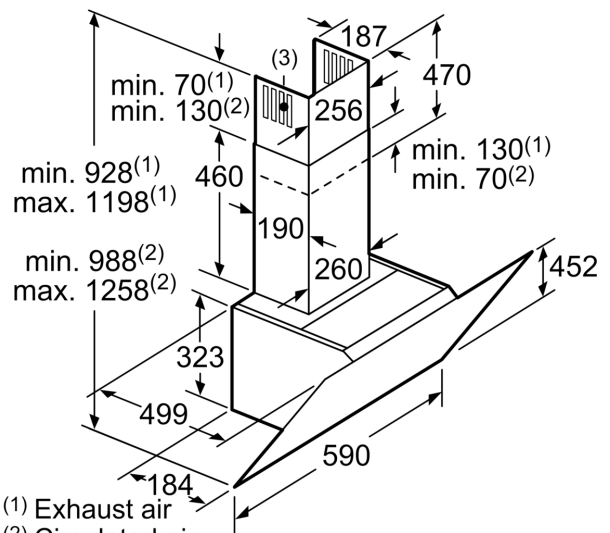
Note the maximum thickness of the back panel.

measurements in mm

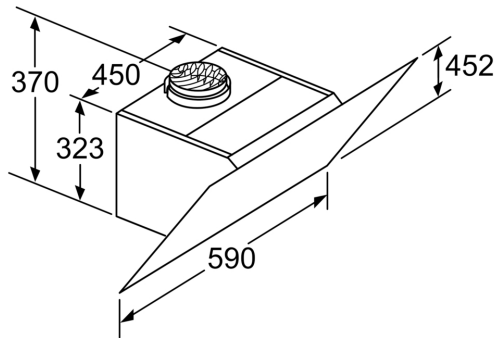
Measurements in mm



- A: Exhaust air
 - B: Socket
- From upper edge of pan support
- C: Electric
 - D: Gas

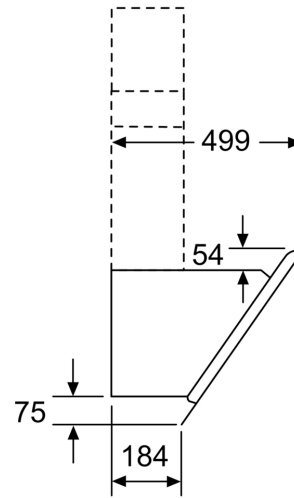


- (1) Exhaust air
 - (2) Circulated air
 - (3) Air outlet – slot for exhaust air to be mounted facing down
- measurements in mm



Appliance in circulated air mode
without duct
Circulated air set required

measurements in mm



measurements in mm