

**Series 4, Wall-mounted cooker hood,
90 cm, Stainless steel
DWBM98G50B**



The wall-mounted chimney hood: mount it on the wall, giving you complete freedom in your kitchen planning.

- **Ducted or Non-ducted Options**
- **Absorbs odors with Charcoal Replacement Filters (Available for sale)**

Typology:	Wall-mounted
Length electrical supply cord:	180.0 cm
Height of the chimney:	390-780 mm
Height of product, without chimney:	60 mm
Net weight:	15.6 kg
Type of control:	Electronic
Number of speed settings:	3
Max. air extraction:	800 m ³ /h
Max. air recirculation:	650 m ³ /h
Number of lights:	2
Odour filter:	No
Operating Mode:	Exhaust / Recirculation (Accessory available separately)
Total power of the lamps:	3 W
Connection rating:	296 W
Voltage:	220-240 V
Frequency:	50 Hz
Plug type:	India plug (6 Ampere)
Installation typology:	Wall-mounted
Material body:	Stainless steel
Plug type:	India plug (6 Ampere)
Dimensions of the product, with chimney (if exists) (in):	x x
Dimensions of the packed product:	22.44 x 15.15 x 37.79
Net weight:	34.000 lbs
Gross weight:	39.000 lbs
Motor location:	Integrated motor in hood chimney
No-return airflow flap:	Yes
Length electrical supply cord:	180.0 cm
Dimensions of the product, with chimney (if exists): 450-840 x 900.0 x 505.0 mm	
Dimensions of the packed product (HxWxD):	570 x 385 x 960 mm
Net weight:	15.6 kg
Gross weight:	17.5 kg



**Series 4, Wall-mounted cooker hood,
90 cm, Stainless steel
DWBM98G50B**

**The wall-mounted chimney hood: mount it
on the wall, giving you complete freedom
in your kitchen planning.**

Performance

- Extraction rate exhaust air according to EN 61591 max. 328 m³/h
- 3 speeds

Design

- Wall mounted hood
- Stainless steel material
- 90 cm wide
- Box design
- TouchControl

Comfort

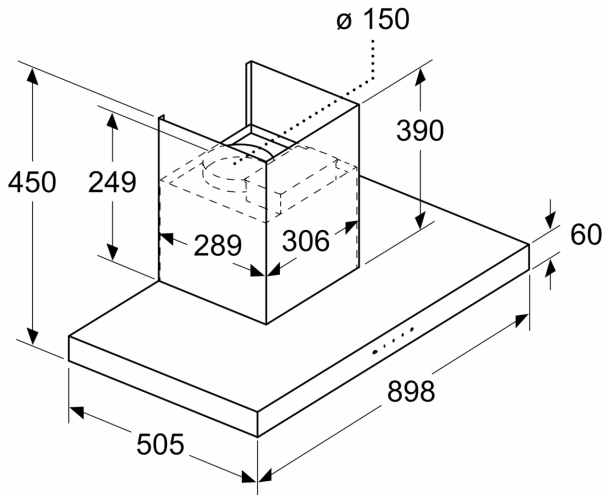
- LED Lighting
- 3 Metal grease filter

Technical information

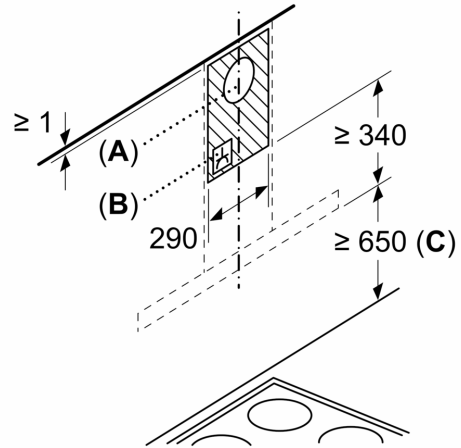
- Suitable for ducted or re-circulated extraction
- Dimensions recirculating (HxWxD): 450-840 x 900 x 505 mm
- Electrical cable length 1.8 m
- Voltage: 220 - 240 V V

**Series 4, Wall-mounted cooker hood,
90 cm, Stainless steel
DWBM98G50B**

Measurements in mm

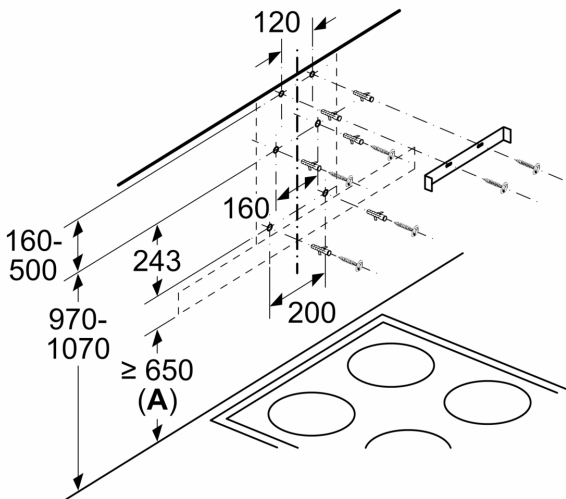


Measurements in mm



- A: Exhaust-air outlet
- B: Socket
- C: From upper edge of pan support

Measurements in mm



- A: From upper edge of pan support